

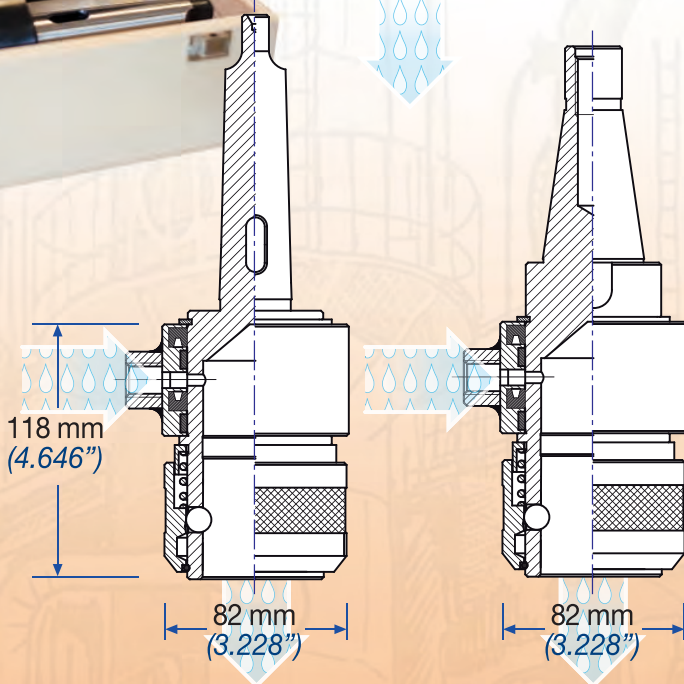
# F/12

Rotating coolant distributor to be coupled with the **F/13** sleeves for use with the **Holetool** series tools

Fully designed and manufactured by Maus Italia with high quality materials, it allows the coolant to flow from the inside directly to the cutting point; this guarantees the **Holetool** series tools will be long lasting and will always provide high performances.

**F/12** is available in standard version with Morse conical tang and, upon request, with ISO 40 conical tang.

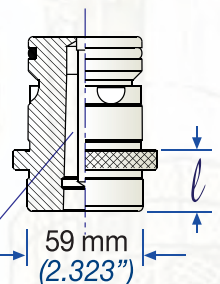
It is offered in a kit with the 3 **F/13** series reduction sleeves.



# F/13

Reduction sleeve to be coupled with the **F/12** rotating distributor for use with the **Holetool** series tools

Designed and manufactured by Maus Italia, the **F/13** series reduction sleeve is offered in 3 sizes, allowing it to connect with the Morse taper No.2, No.3 and No.4 of the **Holetool** series tools.



## F/13

F/13	Morse taper	l	
Code	N	mm	inches
<b>F/13-2</b>	2	25,00	0.984
<b>F/13-3</b>	3	25,00	0.984
<b>F/13-4</b>	4	48,00	1.890

## F/12

F/12	Morse taper	ISO taper
Code	N.	N.
<b>F/12-4</b>	4	/
<b>F/12-5</b>	5	/
<b>F/12-ISO40</b>	/	40