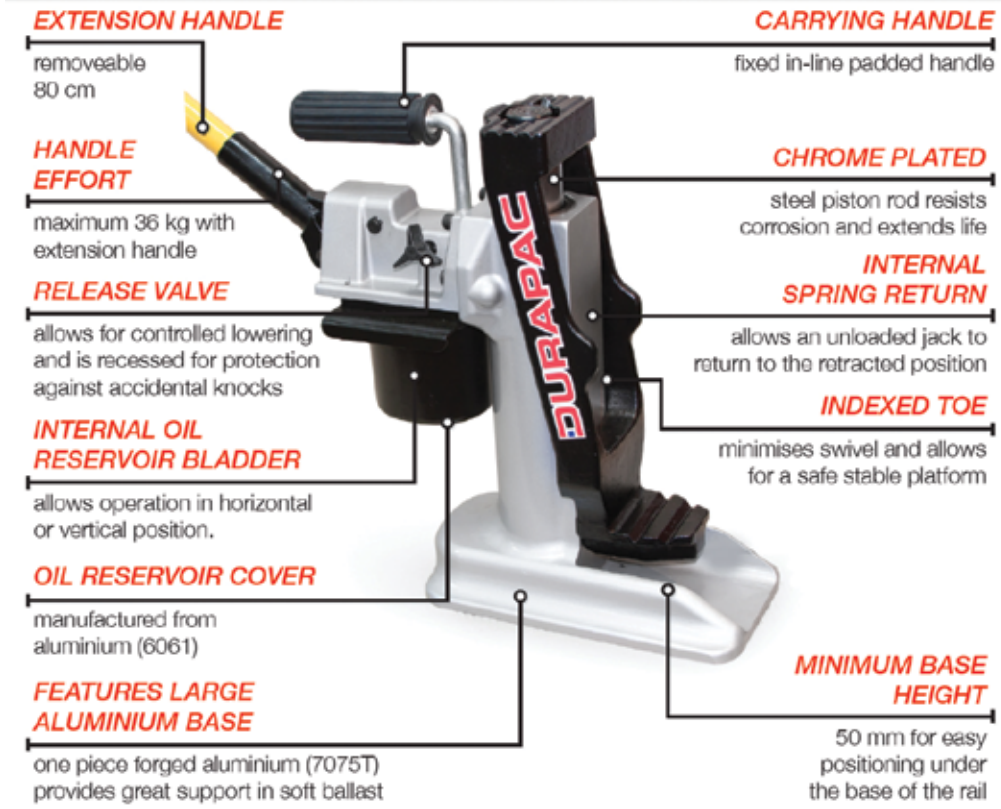


HYDRAULIC TRACK JACK

**DURAPAC**  
ENGINEERED FOR RELIABILITY

TRACK JACKS & WAGON STABILISERS

www.specialisedforce.com.au



**i** **Did you know...**  
Durapac DRJ-10 has an accessory anchor point that is located in the top of the jack.



**HYDRAULIC TRACK JACK**

**MODEL NO. DRJ-10**

SUITED for ALIGNING, GAUGING and LIFTING OF RAIL or SLEEPERS.

Utilising a forged aluminium upright base this 10 US Ton capacity jack has been designed to be robust, light weight and reduce the risk of operator injury. It has a spring return mechanism that will allow a jack with no load to be returned to the retracted position. The jack is fitted with internal safety pressure relief valve to protect against overloading. The bladder system inside the aluminium protected reservoir allows the jack to be used in both the horizontal and vertical positions making it exceptionally versatile.

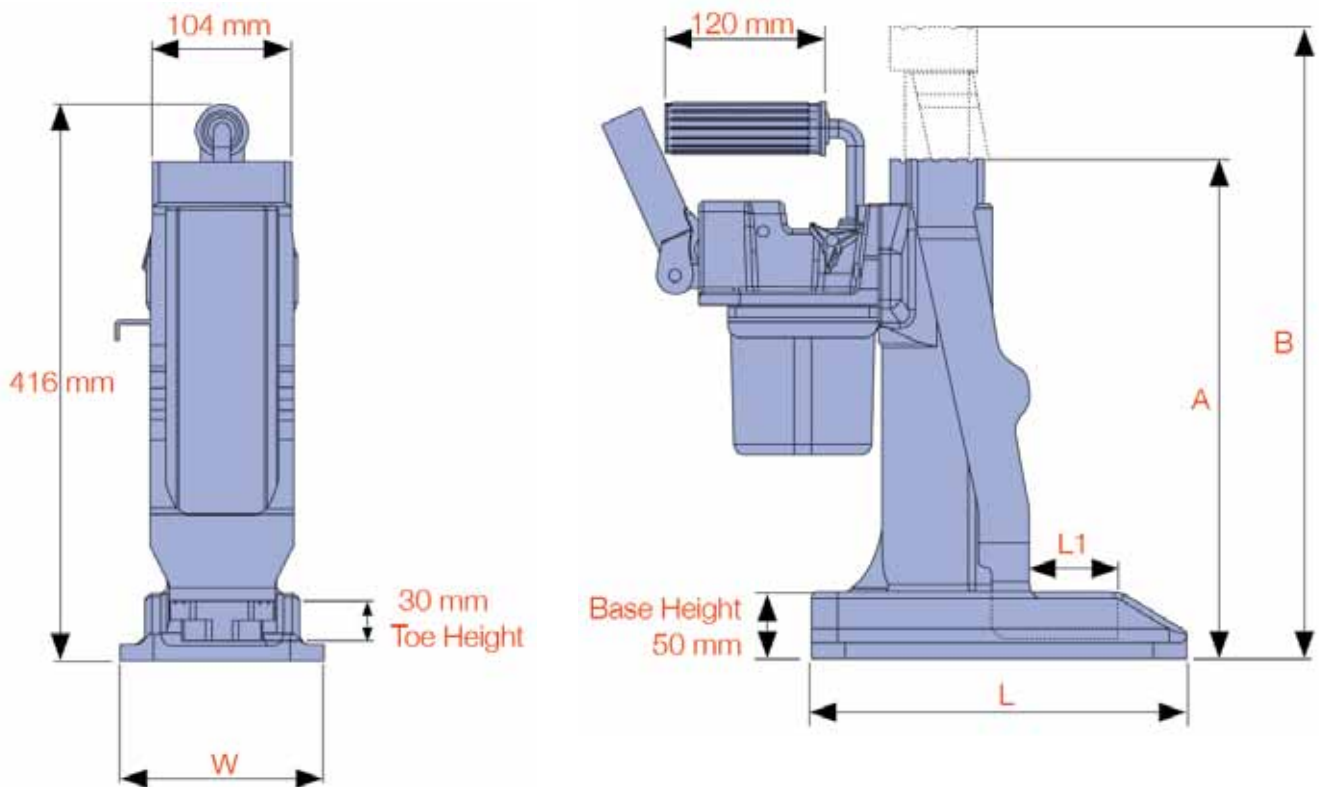
**DURAPAC**  
 ENGINEERED FOR RELIABILITY



TRACK JACKS & WAGON STABILISERS

**SPECIFICATIONS**

Model No.	Capacity (kg)	A		B		Max Handle Effort (kg)	LxW Dimensions (mm)		Unit Wt (w/o handle) (kg)
		Collapsed Height (mm)	Stroke (mm)	Extended Height (mm)	Travel/Pump Stroke (mm)		Base	Toe	
<b>DRJ-10</b>	9,072	373	225	598	4.5	36	280 x 152	66 x 79	20.2



www.specialisedforce.com.au