

**NEW**



# **Porter**

**Support and  
handling trolley** *for  
mobile/portable equipment*



## Support and handling trolley for mobile/portable equipment

The **Porter** series trolleys are specifically designed and manufactured to resolve the issues associated with the support and/or handling of controllers/rolling motors and of the wide range of portable equipment manufactured by Maus Italia.

Their distinctive feature is the extruded aluminium modular structure, combining strength and safety with low weight.

The following table provides a comparison between the 4 models.

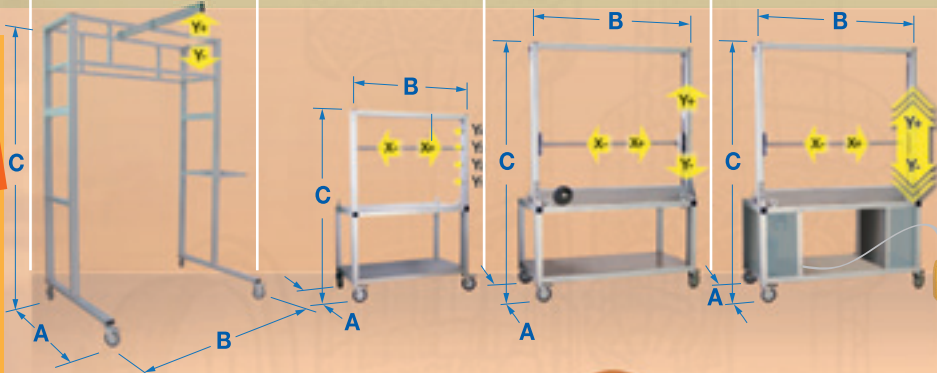


### Porter

Work axes		Porter basic	Porter standard	Porter plus	Porter executive
X axis	Motion	/	manual sliding	manual sliding	manual sliding
Y axis	Motion	manual sliding	fixed positions	servo manual	motorized
Working capacity					
Supported torque	Nm (Ft Lb)	/ /	250 (184)	250 (184)	250 (184)
Supported weight	Kg (Lb)	40 (88)	150 (330)	150 (330)	150 (330)
Horizontal stroke	X mm (inches)	/ /	600 (23)	1000 (39)	1000 (39)
Vertical stroke	Y mm (inches)	1700 (67)	480 (19)	950 (37)	950 (37)
Dimensions					
Length (depth)	A mm (inches)	1200 (47)	500 (20)	700 (28)	700 (28)
Width	B mm (inches)	1600 (63)	900 (35)	1400 (56)	1400 (56)
Height	C mm (inches)	2600 (102)	1510 (59)	2030 (80)	2030 (80)
Weight	Kg (Lb)	70 (155)	40 (89)	81 (179)	113 (250)
Colours		Anodised aluminium	Anodised aluminium	Anodised aluminium	Anodised aluminium

### Ergonomic Safe Operator support

The **Porter** series trolleys have been designed to dump the motor feedback, supporting the operator, and feature great ergonomics and safety.



### Extremely small dimensions for transport

