

C
PUMPS

SELECTOR SWITCH

Run/stop/remote



**PUSH BUTTON
RESET TYPE
CIRCUIT BREAKERS**

Fitted as standard
To conform to Australian
Standards

ROLL FRAME

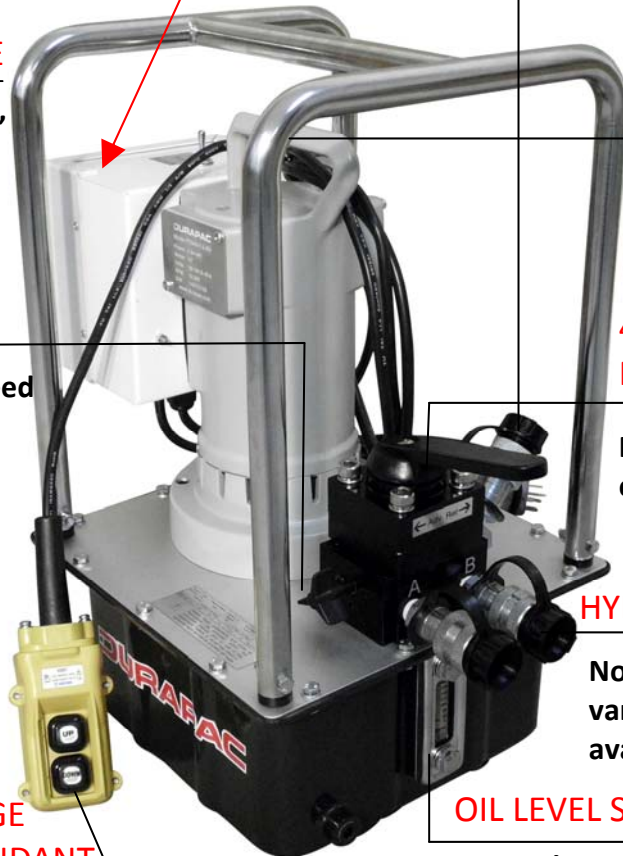
Stainless steel,
heavy duty

BLEED OFF

Integrated bleed
off valve on
Port 'A'

**LOW VOLTAGE
REMOTE PENDANT**

Operated through low voltage step down transformer



PRESSURE GAUGE

45 degree 3/8" NPT gauge port
supplied as standard.
63, 100 and 150mm pressure
gauges available upon request



MOTOR

230VAC Universal
Brush type motor

**4 WAY 3 POSITION
MANUAL VALVE**

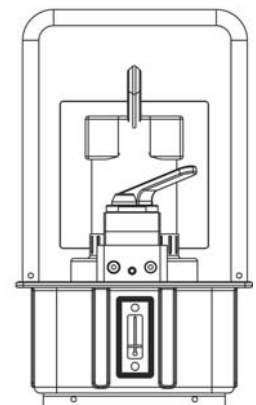
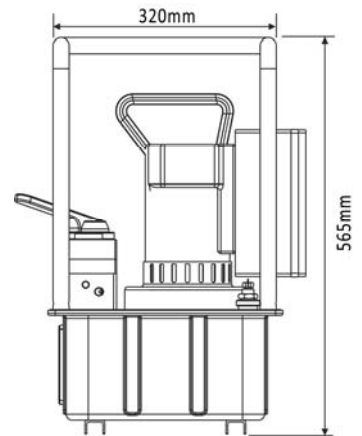
For double acting
equipment

HYDRAULIC COUPLINGS

Not fitted as standard -
variety of coupling options
available

OIL LEVEL SIGHT GAUGE

To monitor oil level



Model No.	Flow Rate (Lpm)		Pressure Rating (bar)		Motor kW	Voltage (50 Hz)	Amps	Remote Pendant Function 4 mtr	Valve Type (3/8"-NPTF Ports) Manual	Usable Oil Cap. (L)	Approx. Dry Weight (kg)	Approx. Dimensions (mm)
	1st Stage	2nd Stage	1st Stage	2nd Stage								
08 SERIES												
PEM8414NV	10.5	0.9	50	700	0.84	230	10.0	MOTOR ON/OFF	4w/3p Man.	7	25	320 W x 400 L x 565 H
PEM8424NV	10.5	0.9	50	700	0.84	230	10.0	MOTOR ON/OFF	4w/3p Man.	20	41	368 W x 490 L x 715 H