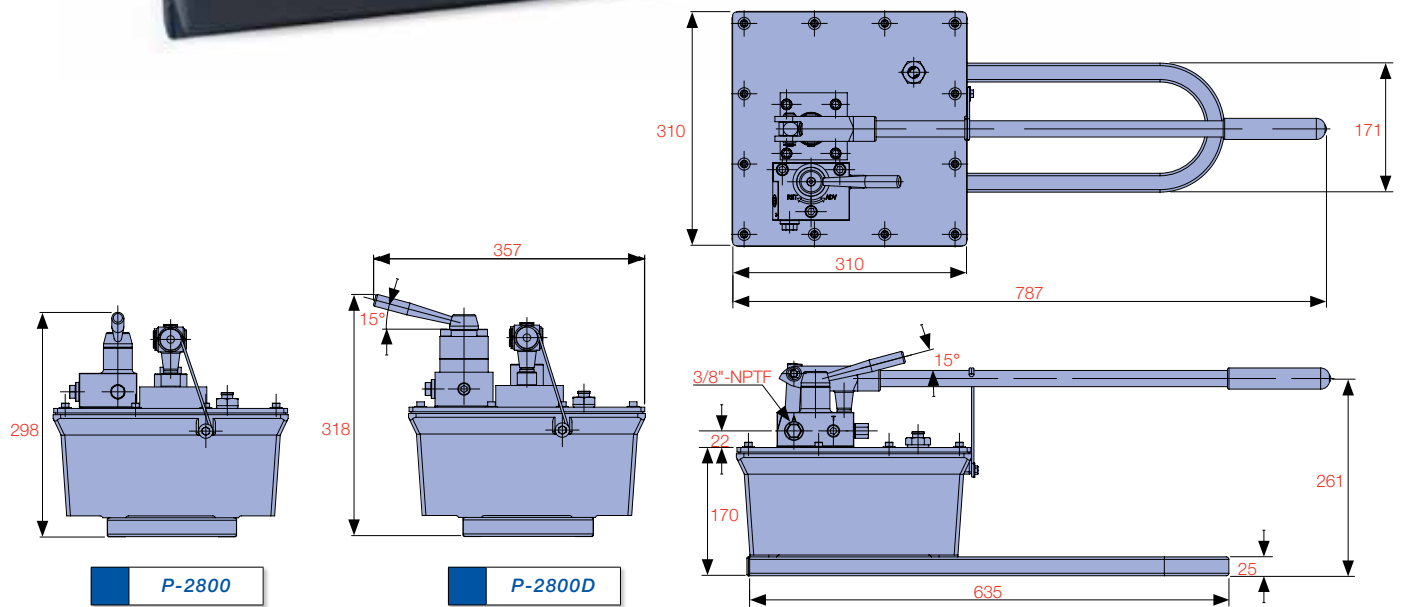


C

PUMPS

DURAPAC'S HIGH FLOW MANUAL PUMP RANGE IS THE ULTIMATE IN HIGH PERFORMANCE 2 SPEED PORTABLE POWER.

Ideally suited to operate high tonnage cylinders where conventional power sources are not available. Both models feature a first stage high flow of 113 cc per stroke for fast cylinder advance and retract and a high pressure power flow of 4 cc per stroke. Available with a 2 way valve for single acting applications or a 4 way valve for double acting applications. Durapac's pump range is robustly built and an industry proven performer.



Model Number	Operation	Used with Cylinder	Valve Type	Pressure Rating (bar)		Usable Oil Capacity (cc)	Oil Volumes per Stroke (cc)		Oil Port Thread	Max. Handle Effort (kg)	Weight with Oil (kg)
				1st Stage	2nd Stage		1st Stage	2nd Stage			
P-2800	Two Speed	S/A	2 Way	27.5	700	8,000	113.0	4.0	3/8"-NPTF	29	29.0
P-2800D	Two Speed	D/A	4 Way	27.5	700	8,000	113.0	4.0	3/8"-NPTF	29	30.0