

G

PRESSES

FORCE GAUGE IN TONS

with 3 colour scale

ROLLING HEAD

design allows movement and locking of the cylinder from side to side

THE **HP-35A** H-FRAME PRESS IS AN INDUSTRIAL DUTY UNIT IDEALLY SUITED TO PRESSING, FORMING AND BENDING JOBS IN ANY WORKSHOP.

It features an air driven and manual pump, movable work head, force gauge and v-blocks.

SPRING RETURN CYLINDER

with two heavy duty return springs

AIR DRIVEN AND MANUAL PUMP

are both incorporated in the press

HAND WHEEL

and threaded cylinder allows for rapid adjustment of cylinder extension

V BLOCKS

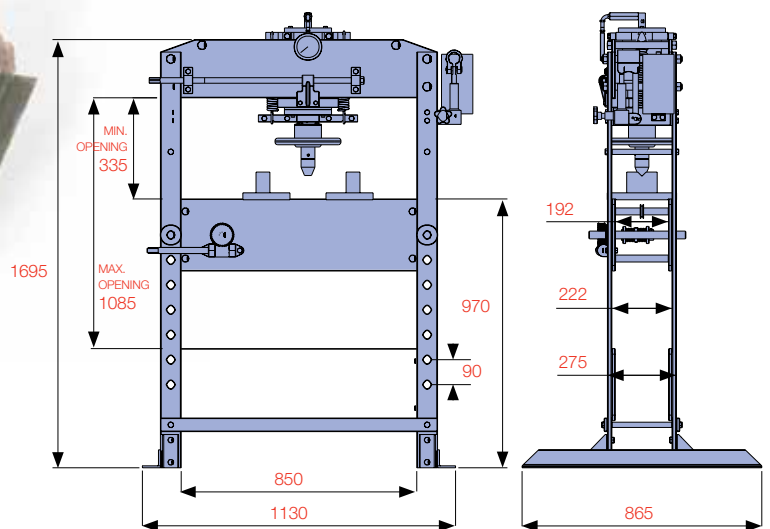
included in standard supply

TABLE HEIGHT ADJUSTMENT

by mechanical screw and gear

STEEL CONSTRUCTION

for maximum strength



Model Number	Capacity (ton)	Pump Type	Pressure Rating (bar)	Air Pressure Range (bar)	Output Flow Rate (cc / min)	Net Weight (kg)
HP-10	10	Manual	700	N/A	N/A	53
HP-35A	35	Air and Manual	360	7-10	750	222

THE **HP-10** BENCH PRESS IS IDEAL FOR WORKSHOP PRESSING JOBS SUCH AS THE INSTALLATION OR REMOVAL OF BEARINGS AND GEARS, REPAIR OF ELECTRIC MOTORS OR OTHER PRESS FIT PARTS.

This unit includes a two speed hydraulic hand pump with force gauge, hose and 10 ton 152 mm stroke spring return cylinder.

10 TON HYDRAULIC CYLINDER

with 152 mm stroke. Longer stroke cylinders available upon request

PRESS PLATE SET

and bushing allows for greater pressing flexibility

STEEL FRAME

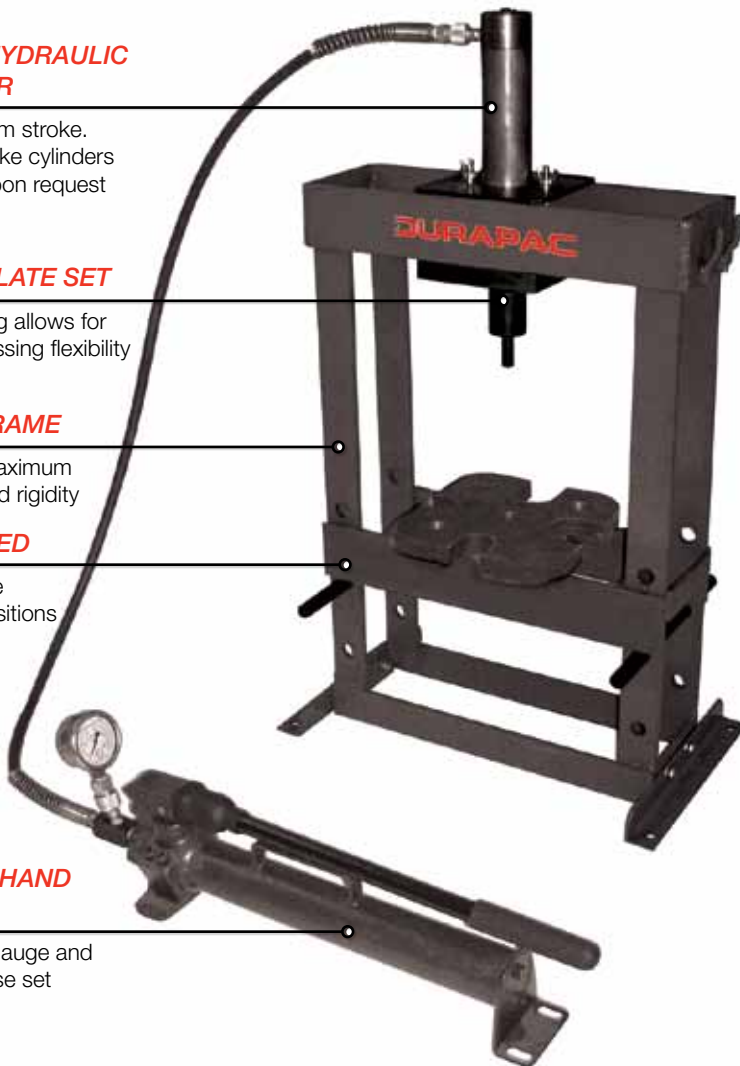
provides maximum strength and rigidity

PRESS BED

has multiple working positions

2 SPEED HAND PUMP

with force gauge and 2 metre hose set



CAPACITY

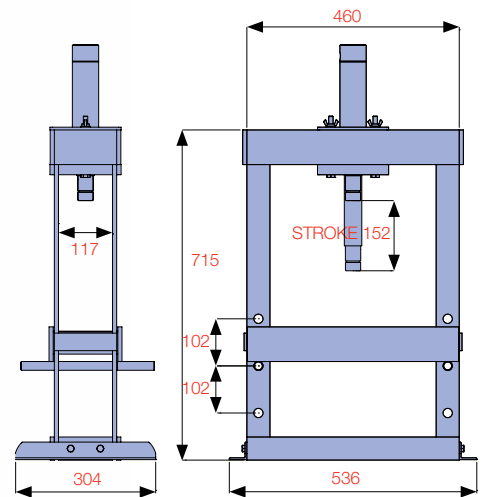
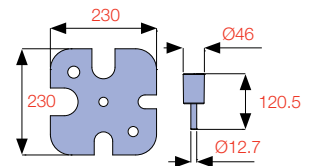
10 & 35 ton

OPERATION

Air & Manual

MAXIMUM OPERATING PRESSURE

360-700 bar



Did you know...

Durapac model DPA-15R air/hydraulic power unit with remote pendant can also be used to operate the HP-10 press.

