

# BEVEL GEAR JACKS ORDERING INFORMATION

**Instructions:** Select a model number from this chart.



Joyce Bevel Gear® Jacks	
BG150S	BG150D
BG250S	BG250D
BG375S	BG375D
BG450S	BG450D





Follow the design tips (pp. 151-154).  
Detailed product information (pp. 155-158).  
Right hand screw threads standard.

Bevel Gear Jack Rise
Rise is travel expressed in inches and not the actual screw length.


Screw Stops (p. 10) and Boots (p. 170)
Screw stops are optional on Bevel gear jacks. When specified, the closed height of the jack and protection tube length may be increased.

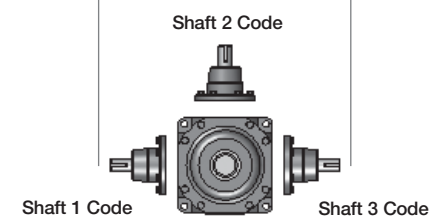
Sample Part Number: **BG150SU2S-12.25-STDX-STDX-STDX-X**

Jack Configuration	
 U=Upright	 I=Inverted

End Conditions			
 1=T1 (plain end)	 2=T2 (load pad)	 3=T3 (threaded end)	 4=T4 (male clevis)

Jack Design		
 S=Translating	 K=Keyed for Non Rotation	 N=Traveling Nut

Encoders and Electronic Limit Switches	
<b>ENCX</b> =Encoder (p. 178)	
<b>ELS2</b> =2 Position Electronic Switch (p. 174)	
<b>ELS4</b> =4 Position Electronic Switch (p. 174)	
<b>ELS6</b> =6 Position Electronic Switch (p. 174)	







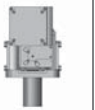
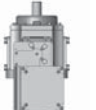


Shaft Codes
Three shaft codes must be specified for each jack. Electronic and mechanical limit switches may be substituted for the shaft code per the tables on this page.
<b>STDX</b> – Standard <b>XXXX</b> – Input shaft not required
When ordering with only one input shaft, it is recommended to order the following configuration: <b>XXXX-STDX-XXXX</b>

Additional Options
<b>X</b> =Standard Jack, no additional options
<b>S</b> =Additional Specification Required (comment as necessary)
<b>Protective Boots</b> pp. 170-172 <b>B</b> =Protective Boot <b>D</b> =Dual Protective Boot
<b>Finishes</b> p. 179 <b>F1</b> =Do not Paint <b>F2</b> =Epoxy Paint <b>F3</b> =Outdoor Paint Process
<b>ACME Screw</b> <b>L</b> =Left Hand Screw
<b>Screw Stops</b> <b>ST0</b> =Extending <b>ST1</b> =Retracting <b>ST2</b> =Both
• Specify as many options as needed

## Mechanical Limit Switches (pp. 174-175)

Ordering Example: **LA13**

Models		Number of DPDT Switches (see p. 175)	Available Positions							
Model	Code		1	2	3	4	5	6	7	8
LS7-402	LI	NOTE: Will always be 0 for LS7 models								
LS8-402	LA									
LS8-404	LB									
LS9-502	LC									
LS9-503	LD									
LS9-504	LE									
LS9-505	LF									
LS9-506	LG									
LS9-507	LH									

Note: All BG jacks are available with all mounting positions.