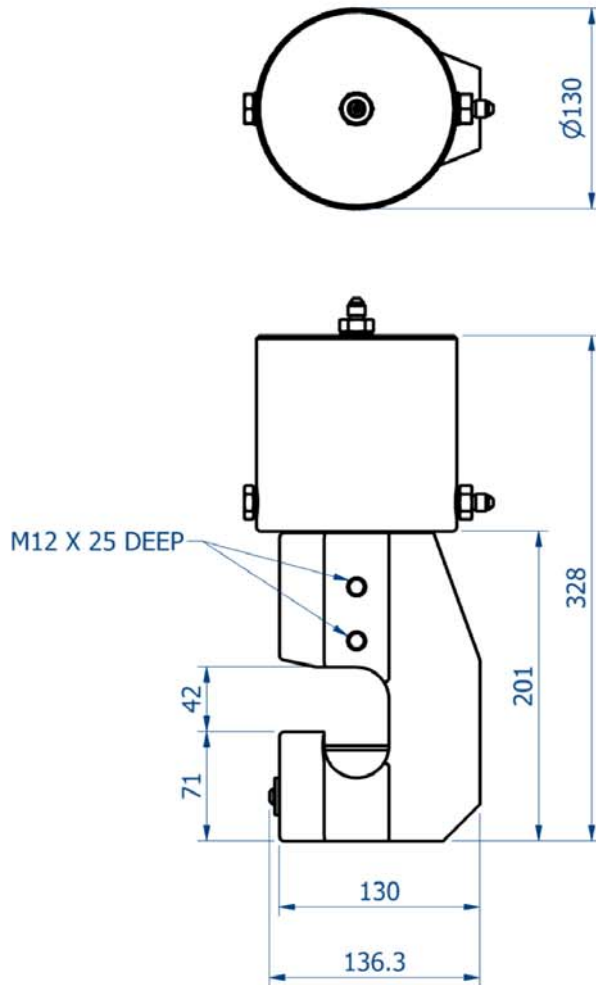


RCO40LP - Wire Rope Cutter Part No - 980503



- Heavy duty wire rope cutter designed for use in severe working conditions
- Open sided design allows for easy positioning of the cutter on the cable
- Blade shaped anvil cuts higher grade cable
- Corrosion resistant stainless steel body with Nitrotec coated alloy steel cylinder
- Long blade and anvil life ensures that tool maintenance is kept to a minimum
- Ideal for operation in confined spaces
- Can be used at any water depth
- Cutting Capacity - Steel wire ropes up to Ø38mm (1.5") with a maximum tensile strength of 1960N/mm². Individual wire strands must be a minimum of Ø1.5mm (1/16")
- Suitable for cutting wire rope, cables and umbilicals
- 220 bar maximum input pressure
- Supplied with 10k rated JIC No 4 fittings
- Approx weight in air – 22kg
- Approx weight in water – 19kg
- Swept volume cut stroke – 0.5 litres
- Swept volume return stroke – 0.4 litres

Sydney (Head Office)
131 WOIDS AVENUE
CARLTON NSW 2218
TEL: (02) 9547 1844
FAX: (02) 9547 2236
sales@specialisedforce.com.au

Brisbane
2/68 NORTHLINK PLACE
NORTHGATE QLD 4013
TEL: (07) 3256 6011
FAX: (07) 3256 6055
qldsales@specialisedforce.com.au

Townsville
2/1 CIVIL ROAD
GARbutt QLD 4814
TEL: (07) 4728 8756
FAX: (07) 4725 4380
nqldsales@specialisedforce.com.au

Adelaide
316 SOUTH ROAD
RICHMOND SA 5033
TEL: (08) 8352 8866
FAX: (08) 8352 7257
sasales@specialisedforce.com.au

Darwin
PO BOX 467 (4/17 WILLES RD)
BERRIMAH NT 0828
TEL: (08) 8984 4453
FAX: (08) 8984 4390
ntsales@specialisedforce.com.au

Melbourne
2/18 SOUTHFORK DRIVE
KILSYTH VIC 3137
TEL: (03) 9761 4199
FAX: (03) 9761 4966
vicsales@specialisedforce.com.au

Perth
17 & 19 AUGUSTA STREET
WILLETTON WA 6155
TEL: (08) 9354 8544
FAX: (08) 9354 8360
wasaales@specialisedforce.com.au

Port Hedland
4/13 CAJARINA RD
WEDGEFIELD WA 6721
TEL: (0417) 544 475
FAX: (08) 9354 8360
phtsales@specialisedforce.com.au