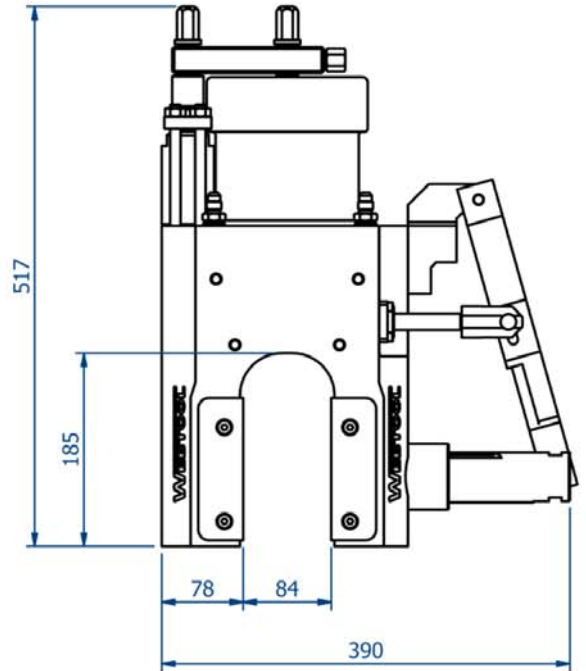
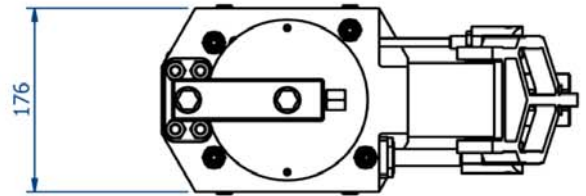


RCV75HD - Wire Rope Cutter

Part No - 980235



- Heavy duty wire rope cutter designed for use in severe working conditions
- Hydraulically operated anvil for easy ROV deployment
- Lightweight aluminium construction
- Long blade life ensures that tool maintenance is kept to a minimum
- Integrated interlock ensures that the blade cannot activate until the anvil is fully deployed
- Integrated hydraulic intensifier and internal relief valve
- Cutting capacity – Maximum $\varnothing 75\text{mm}$ wire rope of $1960\text{N}/\text{mm}^2$ grade
- Can be used at any water depth
- Suitable for cutting wire rope, cables and umbilicals
- 210 bar max input pressure
- Approx weight in air – 43kg
- Approx weight in water – 30.5kg
- Standard tool is shown above. Bespoke and custom designs to suit special applications are available on request

Sydney (Head Office)

131 WOIDS AVENUE
CARLTON NSW 2218
TEL: (02) 9547 1844
FAX: (02) 9547 2236

sales@specialisedforce.com.au

Brisbane

2/68 NORTHLINK PLACE
NORTHGATE QLD 4013
TEL: (07) 3256 6011
FAX: (07) 3256 6055

qldsales@specialisedforce.com.au

Townsville

2/1 CIVIL ROAD
GARbutt QLD 4814
TEL: (07) 4728 8756
FAX: (07) 4725 4380

nqldsales@specialisedforce.com.au

Adelaide

316 SOUTH ROAD
RICHMOND SA 5033
TEL: (08) 8352 8866
FAX: (08) 8352 7257

sasales@specialisedforce.com.au

Darwin

PO BOX 467 (4/17 WILLES RD)
BERRIMAH NT 0828
TEL: (08) 8984 4453
FAX: (08) 8984 4390

ntsales@specialisedforce.com.au

Melbourne

2/18 SOUTHFORK DRIVE
KILSYTH VIC 3137
TEL: (03) 9761 4199
FAX: (03) 9761 4966

vicsales@specialisedforce.com.au

Perth

17 & 19 AUGUSTA STREET
WILLETTON WA 6155
TEL: (08) 9354 8544
FAX: (08) 9354 8360

wasaales@specialisedforce.com.au

Port Hedland

4/13 CAJARINA RD
WEDGEFIELD WA 6721
TEL: (0417) 544 475
FAX: (08) 9354 8360

phtsales@specialisedforce.com.au