

THE **RJ-SERIES** IS A SINGLE ACTING SPRING RETURN CYLINDER. IT IS IDEALLY SUITED TO JACKING, TESTING, WEIGHING AND GENERAL MAINTENANCE APPLICATIONS THAT REQUIRE A HIGH TONNAGE SHORT STROKE CYLINDER DESIGN IN CAPACITIES BEYOND THE 100 TON RLP SERIES.

All RJ-Series cylinders feature a hard chrome cylinder bore and piston rod for maximum corrosion resistance and bronze overlay piston bearing area to reduce scoring and increase service life. Removable hardened saddles are standard.



EXCEEDS
ANSI/ASME B30.1
SAFETY
STANDARDS

Model Number	Cylinder Capacity ton* / kN	Stroke (mm)	Cylinder Effective Area (cm ²)	Oil Capacity (cm ³)	A Collapsed Height (mm)	B Extended Height (mm)	D Outside Diameter (mm)	
RJ-1502	150	1,407	50	201.0	1,005	200	250	215
RJ-1504		1,407	100	201.0	2,010	250	350	215
RJ-2002	200	1,984	50	283.4	1,417	200	250	255
RJ-2004		1,984	100	283.4	2,834	250	350	255

* Nominal Cylinder Capacity in ton - see kN values for actual capacity

POWDER COATED FINISH

enhances appearance and reduces corrosion

HARD CHROME PLATED BORE

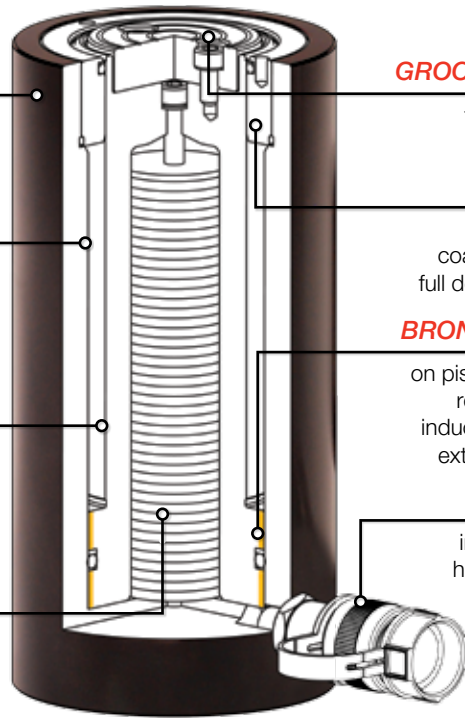
for maximum corrosion resistance and cylinder life

HARD CHROME PLATED PISTON ROD

for maximum corrosion resistance and cylinder life

RETURN SPRING

is sized to ensure efficient piston rod return and maximum spring life



HARDENED GROOVED SADDLE

to prevent piston rod damage

GLAND NUT

with low friction coating withstands full dead end loading

BRONZE OVERLAY

on piston bearing area reduces side load induced damage and extends cylinder life

PARKER

industry standard high flow coupling for compatibility



CAPACITY

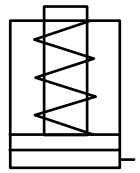
150 - 200 ton

STROKE

50 - 100 mm

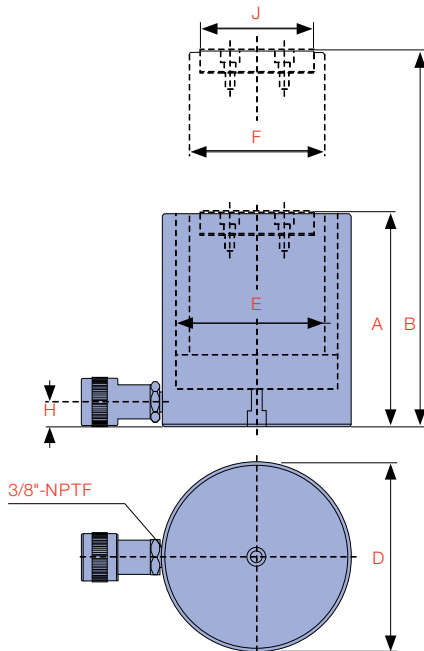
MAXIMUM OPERATING PRESSURE

700 bar



B

CYLINDERS



Did you know...

RLP-Series cylinders offer short stroke capacities from 10-100 ton.



E Cylinder Bore Diameter (mm)	F Piston Rod Diameter (mm)	H Base to Advance Port (mm)	J Standard Saddle Diameter (mm)	Weight (kg)	Model Number	Handle Type
160	115	50	99	50	RJ-1502	◆♥
160	115	50	99	60	RJ-1504	◆♥
190	135	50	115	72	RJ-2002	◆♥
190	135	50	115	85	RJ-2004	◆♥

HANDLE TYPES: ♣ WELDED ◆ EYEBOLT ♥ REMOVABLE STRAP HANDLE ♠ THREAD