

B

CYLINDERS

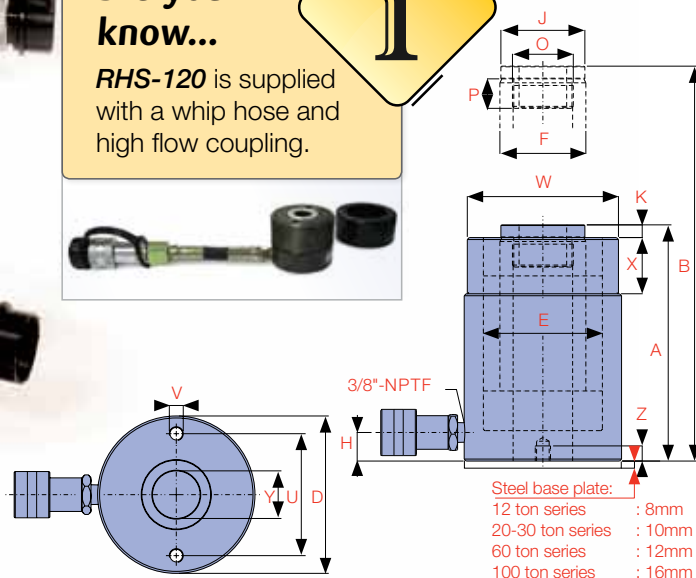


THE *RHS-SERIES* IS A SPRING RETURN HOLLOW PISTON ROD CYLINDER.

The hollow piston allows for a rod or cable to be inserted through the entire body length. They can be used in tensioning, load testing, bush extracting and maintenance applications. All RHS-Series cylinders feature a hard chrome cylinder bore and piston rod for maximum corrosion resistance and a bronze overlay piston bearing area to reduce scoring and increase service life. All cylinders incorporate a bolt on removable steel base plate for extra protection.

Did you know...

RHS-120 is supplied with a whip hose and high flow coupling.



Steel base plate:
 12 ton series : 8mm
 20-30 ton series : 10mm
 60 ton series : 12mm
 100 ton series : 16mm

Model Number	Cylinder Capacity ton* / kN	Stroke (mm)	Cylinder Effective Area (cm ²)	Oil Capacity (cm ³)	A Collapsed Height (mm)	B Extended Height (mm)	D Outside Diameter (mm)	E Cylinder Bore Diameter (mm)	F Piston Rod Diameter (mm)	H Base to Advance Port (mm)	J Standard Saddle Diameter (mm)	
RHS-120	12	125	8	17.9	14	55	63	69	54.1	35.1	9	-
RHS-121		125	42	17.9	75	120	162	69	54.1	35.1	19	-
RHS-1211		125	42	17.9	75	120	162	69	54.1	35.1	19	-
RHS-123		125	76	17.9	135	184	260	69	54.1	35.1	19	-
RHS-202	20	215	49	30.7	149	162	211	98	73.1	54.1	19	54
RHS-204		215	102	30.7	311	242	344	98	73.1	54.1	19	54
RHS-206		215	155	30.7	472	306	461	98	73.1	54.1	19	54
RHS-302	30	326	64	46.6	297	178	242	114	88.9	63.5	22	63
RHS-304		326	102	46.6	474	233	335	114	88.9	63.5	22	63
RHS-306		326	155	46.6	720	330	485	114	88.9	63.5	25	63
RHS-603	60	576	76	82.3	629	247	323	159	123.9	91.9	31	91
RHS-604		576	103	82.3	838	286	389	159	123.9	91.9	31	91
RHS-606		576	153	82.3	1,266	323	476	159	123.9	91.9	31	91
RHS-1003	100	931	76	133.0	1,011	254	330	212	165.1	127.0	38	126
RHS-1006		931	152	133.0	2,026	373	525	212	165.1	127.0	54	126

* Nominal Cylinder Capacity in ton - see kN values for actual capacity

PISTON ROD WIPER

reduces contaminants

HARD CHROME PLATED PISTON ROD

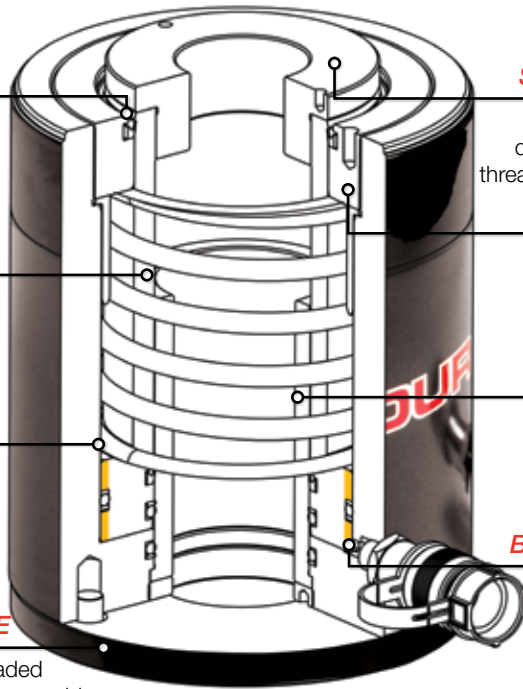
for maximum corrosion resistance and cylinder life

HARD CHROME PLATED BORE

for maximum corrosion resistance and cylinder life

STEEL BASE PLATE

protects base and threaded mounting holes and is removable



THREADED FIT SMOOTH SADDLE

to prevent piston rod damage. Optional TSH threaded saddles available

GLAND NUT

with low friction coating withstands full dead end loading

RETURN SPRING

is sized to ensure efficient piston rod return and maximum spring life

BRONZE OVERLAY

on piston bearing area reduces side load induced damage and extends cylinder life



CAPACITY

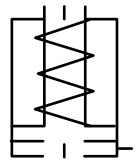
12 - 100 ton

STROKE

8 - 155 mm

MAXIMUM OPERATING PRESSURE

700 bar

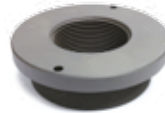
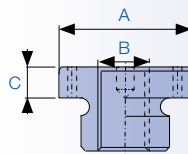


B

CYLINDERS

Did you know...

Lightweight aluminium hollow cylinders are available in single and double acting designs.



Model Number	Optional Threaded Saddles			Model Number
	A (mm)	B	C (mm)	
TSH-20	53	1"-8UNC	9	RHS-202
TSH-20	53	1"-8UNC	9	RHS-206
TSH-30	63	1-1/4"-7UNC	9	RHS-302
TSH-30	63	1-1/4"-7UNC	9	RHS-306
TSH-60	91	1-5/8"-5-1/2UN	12	RHS-603
TSH-60	91	1-5/8"-5-1/2UN	12	RHS-604
TSH-60	91	1-5/8"-5-1/2UN	12	RHS-606
TSH-100	126	2-1/2"-8UN	13	RHS-1003
TSH-100	126	2-1/2"-8UN	13	RHS-1006

K Saddle Protrusion from Piston Rod (mm)	O Piston Rod Internal Thread	P Piston Rod Thread Length (mm)	W Collar Thread	X Collar Thread Length (mm)	Y Centre Hole Diameter (mm)	Base Mounting Holes			Weight (kg)	Model Number	Handle Type
						U Bolt Circle Diameter (mm)	V Thread	Z Thread Depth (mm)			
-	3/4"-16UNF	16	2-3/4"-16UN	30	19.6	50.8	5/16"-18UNC	9.0	2.0	RHS-120	
-	-	-	2-3/4"-16UN	30	19.6	-	-	-	2.8	RHS-121	
-	3/4"-16UNF	16	2-3/4"-16UN	30	19.6	-	-	-	2.8	RHS-1211	
-	-	-	2-3/4"-16UN	30	19.6	50.8	5/16"-18UNC	12.7	4.4	RHS-123	
6.9	1-9/16"-16UN	19	3-7/8"-12UN	38	26.9	82.6	3/8"-16UNC	9.4	7.7	RHS-202	♣
6.9	1-9/16"-17UN	19	3-7/8"-13UN	38	26.9	82.6	3/8"-16UNC	9.4	10.0	RHS-204	♣
6.9	1-9/16"-16UN	19	3-7/8"-12UN	38	26.9	82.6	3/8"-16UNC	9.4	14.1	RHS-206	♣
9.7	1-13/16"-16UN	22	4-1/2"-12UN	42	33.3	92.2	3/8"-16UNC	14.0	10.9	RHS-302	♣
9.7	1-13/16"-17UN	22	4-1/2"-13UN	42	33.3	92.2	3/8"-16UNC	14.0	14.0	RHS-304	♣
9.7	1-13/16"-18UN	22	4-1/2"-12UN	42	33.3	92.2	3/8"-16UNC	14.0	21.8	RHS-306	♣
12.7	2-3/4"-16UN	19	6-1/4"-12UN	48	53.8	130.3	1/2"-13UNC	14.0	28.1	RHS-603	♥
12.7	2-3/4"-16UN	19	6-1/4"-12UN	48	53.8	130.3	1/2"-13UNC	14.0	30.0	RHS-604	♥
12.7	2-3/4"-16UN	19	6-1/4"-12UN	48	53.8	130.3	1/2"-13UNC	14.0	35.4	RHS-606	♥
12.7	4"-16UN	25	8-3/8"-12	60	79.0	177.8	5/8"-11UNC	19.0	63.0	RHS-1003	♥
12.7	4"-16UN	25	8-3/8"-13	60	79.0	177.8	5/8"-11UNC	19.0	73.0	RHS-1006	♥

HANDLE TYPES: ♣ WELDED ♦ EYEBOLT ♥ REMOVABLE STRAP HANDLE ♠ THREAD