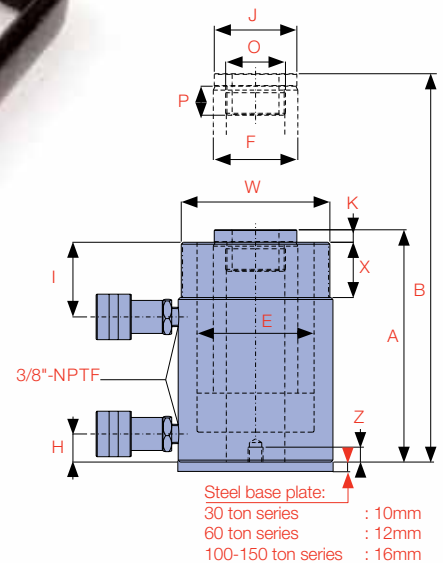




THE RHD-SERIES IS A DOUBLE ACTING HOLLOW PISTON ROD CYLINDER.

The hollow piston allows for a rod or cable to be inserted through the entire body length, while the double acting design improves speed of operation when longer stroke cylinders are required. They can be used in tensioning, load testing, bush extracting, and maintenance applications. All cylinders in this range have base mounting holes.



| Model Number | Cylinder Capacity | | | Stroke (mm) | Cylinder Effective Area | | Oil Capacity | | A Collapsed Height (mm) | B Extended Height (mm) | D Outside Diameter (mm) | E Cylinder Bore Diameter (mm) |
|--------------|-------------------|------------|------------|-------------|----------------------------|----------------------------|----------------------------|----------------------------|-------------------------|------------------------|-------------------------|-------------------------------|
| | ton* | Advance kN | Retract kN | | Advance (cm ²) | Retract (cm ²) | Advance (cm ³) | Retract (cm ³) | | | | |
| RHD-307 | 30 | 326 | 213 | 178 | 46.6 | 30.4 | 830 | 541 | 330 | 508 | 114 | 88.9 |
| RHD-3010 | | 326 | 213 | 258 | 46.6 | 30.4 | 1,203 | 784 | 431 | 689 | 114 | 88.9 |
| RHD-603 | 60 | 576 | 377 | 94 | 82.3 | 53.8 | 732 | 479 | 247 | 336 | 159 | 123.9 |
| RHD-606 | | 576 | 377 | 166 | 82.3 | 53.8 | 1,366 | 893 | 323 | 489 | 159 | 123.9 |
| RHD-6010 | | 576 | 377 | 257 | 82.3 | 53.8 | 2,115 | 1,382 | 438 | 695 | 159 | 123.9 |
| RHD-1001 | 100 | 931 | 612 | 38 | 133.0 | 87.4 | 506 | 332 | 165 | 203 | 212 | 165.1 |
| RHD-1003 | | 931 | 612 | 76 | 133.0 | 87.4 | 1,012 | 664 | 254 | 330 | 212 | 165.1 |
| RHD-1006 | | 931 | 612 | 153 | 133.0 | 87.4 | 2,037 | 1,337 | 342 | 495 | 212 | 165.1 |
| RHD-10010 | | 931 | 612 | 257 | 133.0 | 87.4 | 3,421 | 2,245 | 460 | 717 | 212 | 165.1 |
| RHD-1508 | 150 | 1,429 | 718 | 203 | 204.1 | 102.6 | 4,142 | 2,082 | 349 | 552 | 247 | 190.5 |

* Nominal Cylinder Capacity in ton - see kN values for actual capacity

SAFETY PRESSURE

relief valve protects cylinder from oversaturation due to checked hydraulic return coupling

GLAND NUT

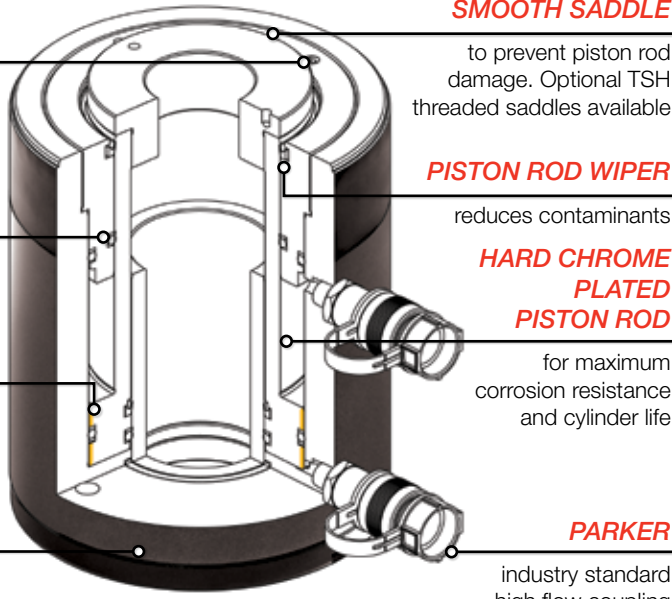
with low friction coating withstands full dead end loading

BRONZE OVERLAY

on piston bearing area reduces side load induced damage and extends cylinder life

STEEL BASE PLATE

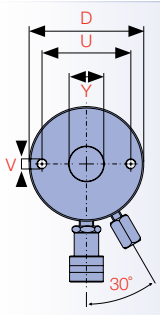
protects base and is removable to allow use of threaded mounting holes



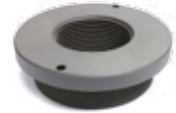
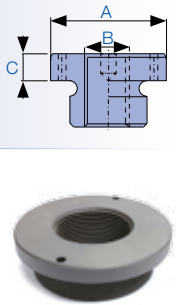
CAPACITY
30 - 150 ton

STROKE
38 - 258 mm

MAXIMUM OPERATING PRESSURE
700 bar



| Base Mounting Holes | | | Model Number | Optional Threaded Saddles | | | Handle Type | |
|-----------------------------|------------|---------------------|------------------|---------------------------|--------|----------------|-------------|--------|
| U Bolt Circle Diameter (mm) | V Thread | Z Thread Depth (mm) | | Model Number | A (mm) | B (mm) | | C (mm) |
| 92.2 | 3/8"-16UNC | 15.7 | RHD-307 | TSH-30 | 63 | 1-1/4"-7UNC | 9 | ♥ |
| 92.2 | 3/8"-16UNC | 15.7 | RHD-3010 | TSH-30 | 63 | 1-1/4"-7UNC | 9 | ♥ |
| 130.0 | 1/2"-13UNC | 14.0 | RHD-603 | TSH-60 | 91 | 1-5/8"-5-1/2UN | 12 | ♥ |
| 130.0 | 1/2"-13UNC | 14.0 | RHD-606 | TSH-60 | 91 | 1-5/8"-5-1/2UN | 12 | ♥ |
| 130.0 | 1/2"-13UNC | 14.0 | RHD-6010 | TSH-60 | 91 | 1-5/8"-5-1/2UN | 12 | ♥ |
| 177.8 | 5/8"-11UNC | 19.0 | RHD-1001 | TSH-100 | 126 | 2-1/2"-8UN | 13 | ♥ |
| 177.8 | 5/8"-11UNC | 19.0 | RHD-1003 | TSH-100 | 126 | 2-1/2"-8UN | 13 | ♥ |
| 177.8 | 5/8"-11UNC | 19.0 | RHD-1006 | TSH-100 | 126 | 2-1/2"-8UN | 13 | ♥ |
| 177.8 | 5/8"-11UNC | 19.0 | RHD-10010 | TSH-100 | 126 | 2-1/2"-8UN | 13 | ♥ |
| 214.0 | 5/8"-11UNC | 15.0 | RHD-1508 | - | - | - | - | ♥ |



| F Piston Rod Diameter (mm) | H Base to Advance Port (mm) | I Top to Return Port (mm) | J Standard Saddle Diameter (mm) | K Saddle Protrusion from Piston Rod (mm) | O Piston Rod Internal Thread | P Piston Rod Thread Length (mm) | W Collar Thread | X Collar Thread Length (mm) | Y Centre Hole Diameter (mm) | Weight (kg) | Model Number |
|----------------------------|-----------------------------|---------------------------|---------------------------------|--|------------------------------|---------------------------------|-----------------|-----------------------------|-----------------------------|-------------|------------------|
| 63.5 | 25 | 60 | 63 | 9 | 1-13/16"-16UN | 22 | 4-1/2"-12UN | 42 | 33.3 | 21.0 | RHD-307 |
| 63.5 | 25 | 60 | 63 | 9 | 1-13/16"-16UN | 22 | 4-1/2"-12UN | 42 | 33.3 | 27.0 | RHD-3010 |
| 92.2 | 31 | 66 | 91 | 12 | 2-3/4"-16UN | 19 | 6-1/4"-12UN | 48 | 54.1 | 28.0 | RHD-603 |
| 92.2 | 31 | 66 | 91 | 12 | 2-3/4"-16UN | 19 | 6-1/4"-12UN | 48 | 54.1 | 35.0 | RHD-606 |
| 92.2 | 31 | 66 | 91 | 12 | 2-3/4"-16UN | 19 | 6-1/4"-12UN | 48 | 54.1 | 45.0 | RHD-6010 |
| 127.0 | 38 | 44 | 126 | 12 | 4"-16UN | 25 | - | - | 79.5 | 33.0 | RHD-1001 |
| 127.0 | 38 | 85 | 126 | 12 | 4"-16UN | 25 | 8-3/8"-12UN | 60 | 79.5 | 61.0 | RHD-1003 |
| 127.0 | 38 | 85 | 126 | 12 | 4"-16UN | 25 | 8-3/8"-12UN | 60 | 79.5 | 79.0 | RHD-1006 |
| 127.0 | 38 | 85 | 126 | 12 | 4"-16UN | 25 | 8-3/8"-12UN | 60 | 79.5 | 106.0 | RHD-10010 |
| 152.4 | 38 | 60 | 127 | 4 | 4-1/4"-12UN | 25 | - | - | 79.5 | 111.0 | RHD-1508 |

HANDLE TYPES: ♠ WELDED ♦ EYEBOLT ♥ REMOVABLE STRAP HANDLE ♣ THREAD