



RAIL TONGS (MADE IN CANADA)

All IPS tongs are designed for long-term field performance and are made from high-strength alloy steel. Every tong is individually magnetic particle tested, pull test certified, and engraved with a serial number to maximise worker safety.

MODEL NO. RHD SERIES

RHD3.3-IPS



RHD6.0-IPS



RHD8-IPS



RHD10-IPS



FEATURES

- Manufactured from forge cast high-strength alloy steel
- Rugged design for long term, high field performance
- Designed to open automatically when lowered onto the head of a rail
- Will handle most rail profiles
- Each tong is magnetic particle tested
- and proof load tested
- Pull test certified
- Engraved with a serial number to maximize worker safety
- Units type tested to a minimum of 5:1 safety factor lifting
- Two lifting handles (**RHD6.0/8 only**)

SPECIFICATIONS

Model No.	WLL Capacity (kg)	Type	Pivot Bolt	Proof Test (kg)	Suits Up to Rail (kg)	Unit Wt (kg)
RHD3.3-IPS	3,000	LITTLE DAWG	19mm / 3/4"	7,500	68	6.8
RHD6.0-IPS	5,400	RAIL DAWG II	32mm / 1-1/4"	13,607	68	22.7
RHD8-IPS	7,000	BIG DAWG	32mm / 1-1/4"	18,000	68	37.3
RHD10-IPS	9,000	MEGA DAWG	35mm / 1-3/8"	22,679	68	40.8



RHD3.3-IPS



RHD6.0-IPS



RHD8-IPS On 68kg Rail



RHD10-IPS

RAIL MATERIAL HANDLING

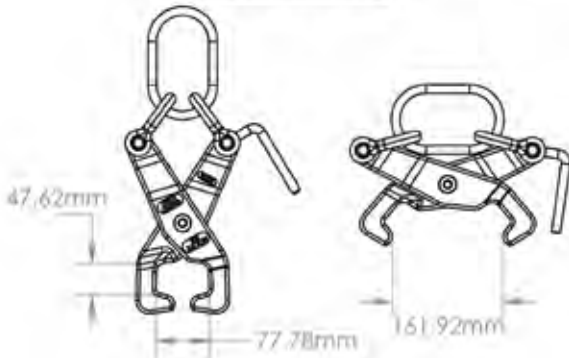
www.specialisedforce.com.au

RAIL TONGS (MADE IN CANADA)



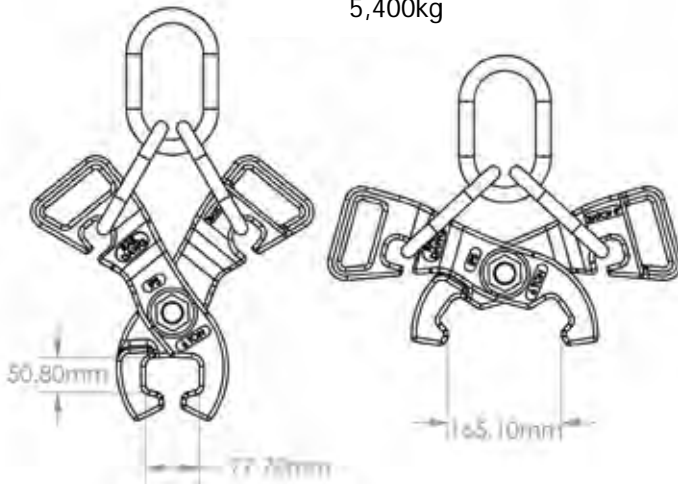
RHD3.3-IPS

3,000kg



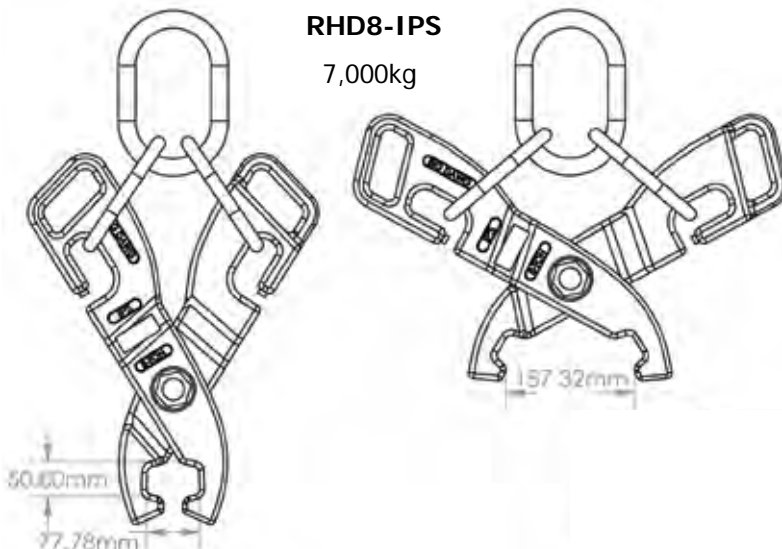
RHD6.0-IPS

5,400kg



RHD8-IPS

7,000kg



RAIL MATERIAL HANDLING

www.specialisedforce.com.au