

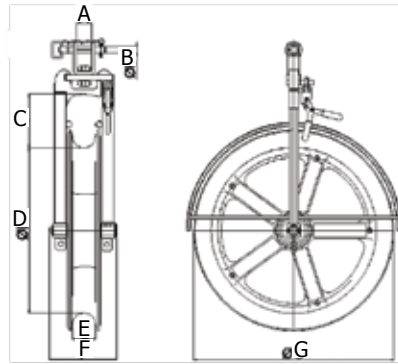
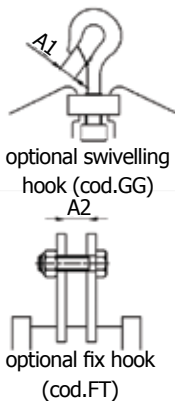
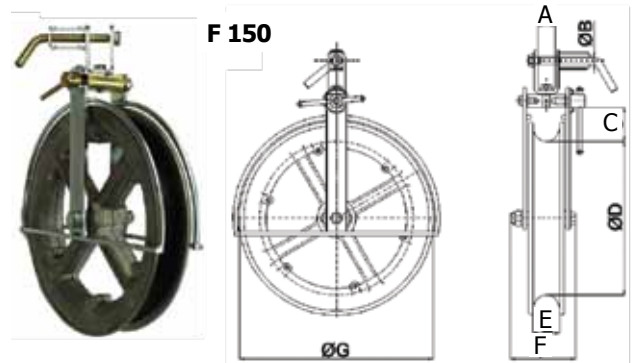
**MODEL No. F 144 & F 150 SINGLE STRINGING ROLLERS (MADE IN ITALY)**

Single sheave running out block suitable for stringing overhead conductors. Aluminium sheave mounted on sealed ball bearings. Grooves lined with nylon sectors. Opening galvanised steel frame with non-fleeting device. Standard swivelling fork attachment.

**SPECIAL FOR OPGW:** Model **F 144.100.60** is specially designed for fibre optic conductors.

**OPTIONAL**

- 301.1** Swivelling hook attachment (model GG).
- 301.2** Fixed hook (model FT).
- 314** Bottom groove lined with aluminium sectors (only for sheaves with groove width E= 38, 50, 60 & 68mm).
- 320** Box for transport and storage (model F 144.C).
- 326** Earthing device (option 314 needed). Only for aluminium sectors
- 326.1** Ground Device with contact conductor through cascading rollers
- 327** Non-fleeting device (standard on model F 150).
- 328** Special U-shaped frame.
- 329** Copper cable with transparent PVC protection, with a clamp for tower and a terminal for the running out block (6 m in length).



**SPECIFICATIONS**

Model No.	Dimensions (mm)									UTS (Tonne)	Wt (kg)
	Hook			B (OD)	C	D (OD)	E	F	G (OD)		
	A	A1	A2								
<b>F 150.23</b>	21	25	26	12	80	230	38	135	300	6.5	6.8
<b>F 150.23.1</b>	25	25	26	14	110	230	50	150	300	8.5	8.0
<b>F 150.35</b>	30	27	26	16	110	350	60	170	440	9.0	11.5
<b>F 144.50.70</b>	40	27	27	20	150	500	68	188	630	12.0	25
<b>F 144.65.70</b>	40	33	27	20	160	650	68	188	770	14.0	30
<b>F 144.65.95</b>	40	33	27	20	150	650	95	210	770	14.0	35
<b>F 144.80.70</b>	45	33	27	20	160	800	68	188	900	14.0	35
<b>F 144.80.95</b>	45	33	27	20	150	800	95	210	900	14.0	41
<b>F 144.100.95</b>	45	37	27	25	150	1000	95	230	1120	16.0	50
<b>SPECIALLY DESIGNED FOR OPGW</b>											
<b>F 144.100.60</b>	40	27	27	20	160	1000	60	190	1080	9.0	38