

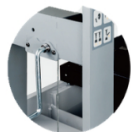
PRESSES



Scale & Sliding Cylinder with Handle and Rotatable Knob



Winch Handle Holder



Winch Protection Cover



Spare Parts Tray



Well-Designed Legs with Bolt Holes



Quick Detachable Top Cover



Pulley Protection Cover



Working Bench Pin with Plastic Sleeve at One End



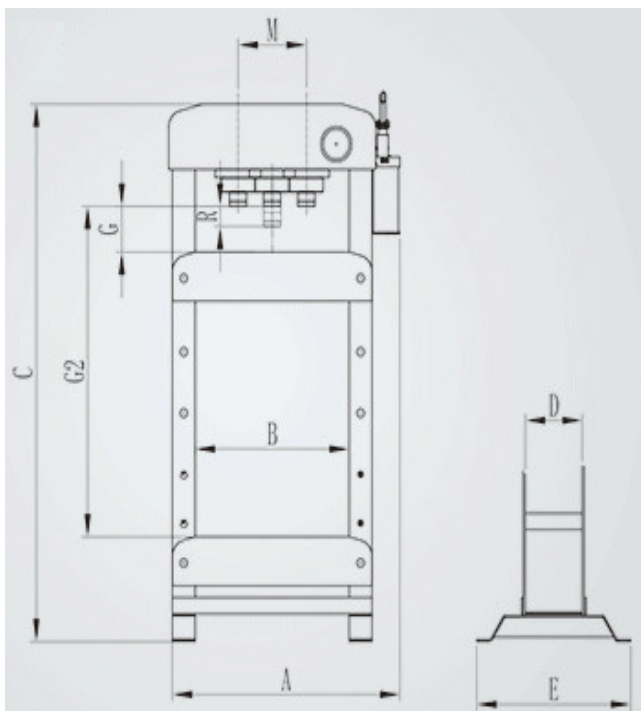
Handle Assy Holder



Pneumatic Foot Pedal Switch

HP-100A

Model	Capacity	Net Weight	Packing Size	Working Pressure	A	B	C	D	E	G	G2	R	M
HP-100A	100t	650kgs	195x130x40cm	0.9-1.2MPa	1255	850	1938	280	750	185	885	300	360



Features:

- ▶ Two speed hand pump for rapid advance of press RAM
- ▶ High pressure air hydraulic pump with foot pedal operation
- ▶ Pressure gauge in tonne/bar
- ▶ Safety pressure relief valve
- ▶ Sliding press cylinder (horizontal) with graduated scale & screwed locking knob
- ▶ Pair V-Blocks standard supply
- ▶ Removable spare parts tray
- ▶ Adjustable bed height with hand winch operation
- ▶ Removable/Adjustable perspex safety screen - Standard Supply (Not Shown)
- ▶ Spring return RAM