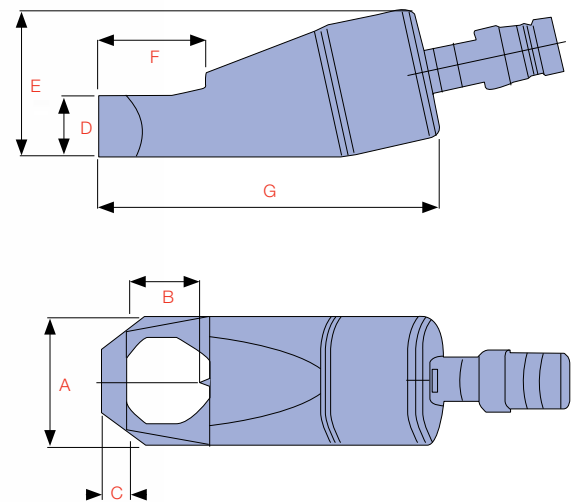
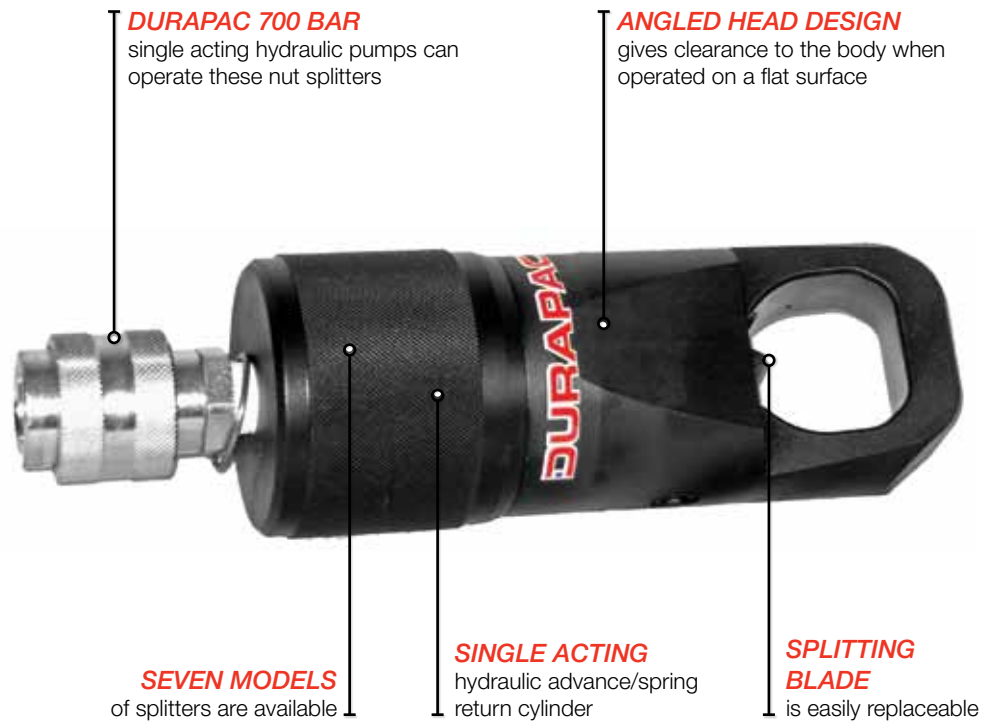


THE **DNS-SERIES** OF NUT SPLITTERS CONSISTS OF SEVEN MODELS FOR HANDLING DIFFICULT TO REMOVE NUTS RANGING FROM 10 - 75 MM A/F CAPACITY.

They are a proven performer in the railway, pipelines, petro-chemical, heavy vehicles, mining, steel and industrial applications. DNS-Series Nut Splitters use a single acting hydraulic-advance/spring return cylinder offering between 5 - 90 ton of force. All models can be driven by a 700 bar lightweight single acting hand pump or power unit. The unique angled-head design gives clearance to the body when operating on a flat surface. They are a compact design capable of splitting nuts up to hardness HRc 44 and are also suitable for use on Grade 2H high temperature nuts as used in the petrochemical industry. Each tool is supplied in a heavy duty moulded plastic storage case except DNS-6075 which comes with a wooden case.



Model No.	Bolt Range	Hex Nut Range (mm)	Capacity (ton)	Oil Capacity (cm ³)	Dimensions (mm)			Weight (kg)	Spare Blade Model Number
					Length	Width	Height		
DNS-1319	M6-M12	10-19	5	13	170	40	48	1.2	DNS-1319-4
DNS-1924	M12-M16	19-24	10	21	191	54	62	2.0	DNS-1924-4
DNS-2432	M16-M22	24-32	15	58	222	64	72	3.0	DNS-2432-4
DNS-3241	M22-M27	32-41	20	88	244	75	88	4.4	DNS-3241-4
DNS-4150	M27-M33	41-50	35	153	288	94	105	8.5	DNS-4150-4
DNS-5060	M33-M39	50-60	50	233	318	106	128	11.8	DNS-5060-4
DNS-6075	M39-M48	60-75	90	492	393	156	181	34.1	DNS-6075-4



BOLT RANGE
M6 - M48

HEX NUT RANGE
10 - 75 mm

MAXIMUM NUT HARDNESS
HRC-44
Suitable for Grade 2H high temperature nuts for use in the petrochemical industry

MAXIMUM OPERATING PRESSURE
700 bar



Did you know...

Durapac offers a range of lightweight portable hand pump options to suit the DNS-Series nut splitters. Spare chisel and storage case included with each tool.



Model No.	Dimensions (mm)						
	A	B	C	D	E	F	G
DNS-1319	39.8	20.9	7.0	19.0	49.7	29.0	120.0
DNS-1924	53.8	25.3	10.0	25.0	62.2	40.0	146.0
DNS-2432	64.0	33.6	13.0	30.0	76.5	51.8	181.0
DNS-3241	77.0	42.7	16.0	36.0	87.3	64.9	205.0
DNS-4150	94.0	53.8	21.1	44.7	108.0	76.0	244.0
DNS-5060	106.0	60.8	24.3	54.3	125.3	92.0	289.0
DNS-6075	156.2	80.4	27.0	75.0	184.0	110.0	365.0