

THE **BS-SERIES** CROSS BEARING ATTACHMENTS PROVIDE A KNIFE-LIKE EDGE TO GET BEHIND PARTS FOR ADDED VERSATILITY AND SECURE REMOVAL OF PARTS.

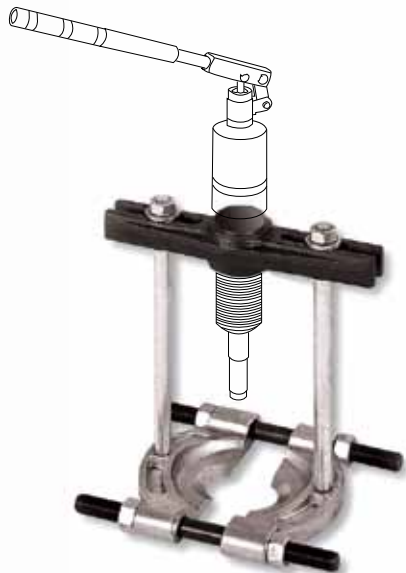
Great for parts that do not offer adequate grip with jaw type pullers. All bearing/pulley attachments include the bearing attachment, a pair of sized thread-in legs and a sliding cross head. Simply add the hydraulic cylinder from your PR/PS-Series puller set.



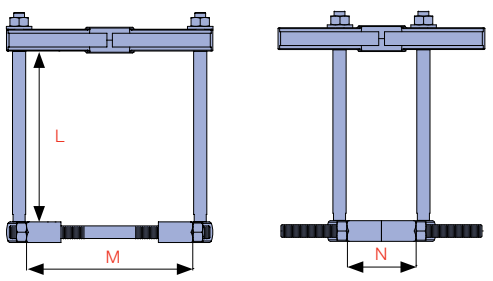
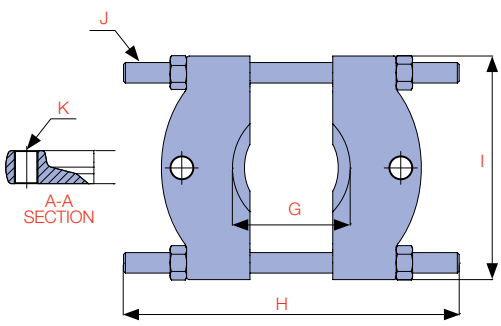
**F**  
HYDRAULIC TOOLS

CAPACITY  
**4 - 30 ton**

SPREAD RANGE  
**5 - 495 mm**



BEARING/PULLEY ATTACHMENT SET



Model No.	G (Min./Max.)	H (mm)	I (mm)	J	K	Weight (kg)
BS-5-60	5-60	125	70	3/8"-24UNF	3/8"-16UNC	0.6
BS-15-60	15-60	135	127	1/2"-20UNF	3/8"-16UNC	1.4
BS-12-70	12-70	163	156	5/8"-18UNF	1/2"-12UNC	2.5
BS-28-150	28-150	260	204	3/4"-16UNF	5/8"-11UNC	5.5
BS-20-200	20-200	350	288	1"-14UN	3/4"-10UNC	8.5

*Model No.	Capacity (ton)	Reach L (mm)	Spread		Weight (kg)	Inc. Bearing Attachment
			M (mm)	N (mm)		
BS-04250	4	250	110	55	6.5	BS-12-70
BS-08270	8	270	220	95	9.5	BS-28-150
BS-12380	12	380	290	225	13	BS-20-200

\* Excludes cylinder pump