



SPECIALISED FORCE

HYDRAULIC TOOLS & PTY. LTD.
ELECTRICAL CONTRACTORS EQUIPMENT



BC16-Li230 Cordless Bolt Cutter



Cutting Container Seal



Cutting Hoist Chain



Cutting Speed: 5 Sec
Battery Output: 25.2V

Specifications

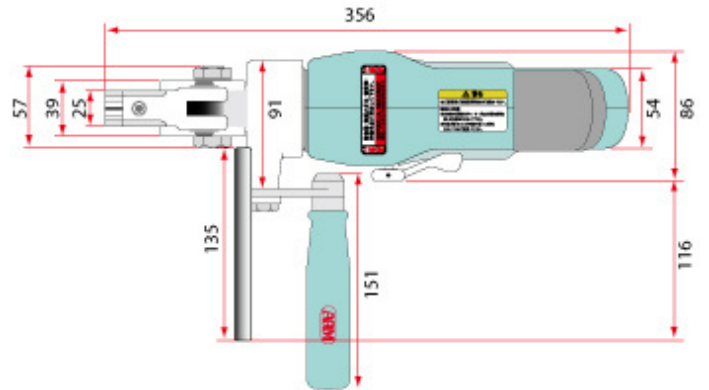
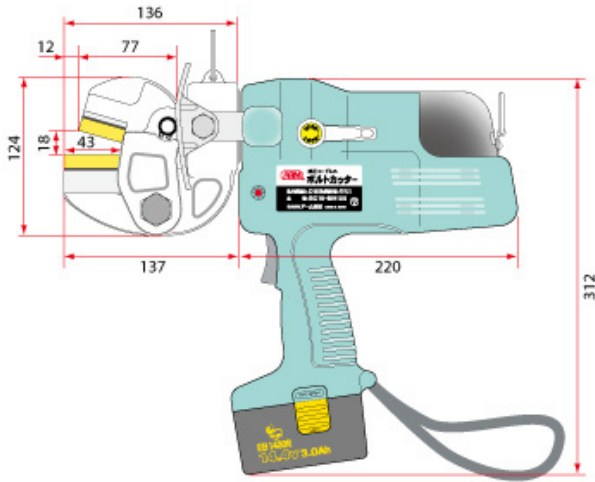
Item No.	Battery / Electrical Input	Charging Time	Cutting Capacity Dia. (mm)	Weight	Packing Weight
BC16-Li230	25.2V 4.00Ah (Li-ion) / AC230V	120 minutes	16	6.7kg	12.5kg

With fully charged battery cuts	
Dia. 16mm (5/8") re-bar	210 times
Dia. 13mm (1/2") re-bar	305 times

Chain Grade	Diameter
40	13mm 1/2"
70	13mm 1/2"
80	10mm 3/8"
100	10mm 3/8"



BC16-Li230 Cordless Bolt Cutter



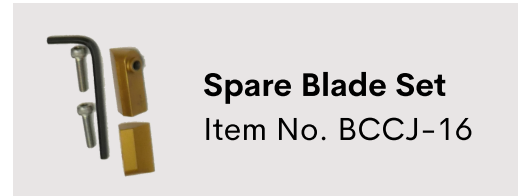
Kit Inclusion



Carry Case



Battery (Li-ion)



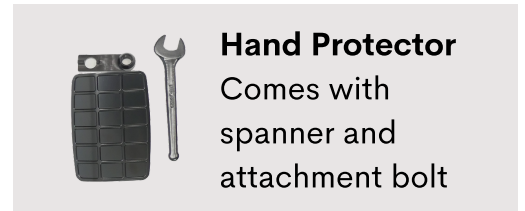
Spare Blade Set
Item No. BCCJ-16



Shoulder Strap



Battery Charger



Hand Protector
Comes with spanner and attachment bolt

Spares Re-Ordering

Product Name	Item Number	Weight
Spare Blade Set	BCCJ-16	0.2 kg
Li-ion Battery	BPL-2540	0.91 kg
Battery Charger (230V)	BC0075G (230V)	0.95kg



QUALITY - SALES- SERVICE- SOLUTIONS

specialisedforce.com.au

Sydney (HO)

131 Woids Avenue
CARLTON NSW 2218
TEL: (02) 9547 1844
FAX: (02) 9547 2236
sales@specialisedforce.com.au

Brisbane

2/68 NORTHLINK PLACE
NORTHGATE QLD 4013
TEL: (07) 3256 6011
FAX: (07) 3256 6055
qldsales@specialisedforce.com.au

Adelaide

316 SOUTH ROAD
RICHMOND SA 5033
TEL: (08) 8352 8866
FAX: (08)83527257
sasales@specialisedforce.com.au

Perth

19 AUGUSTA STREET
WILLETTON WA 6155
TEL: (08) 9354 8544
FAX: (08) 9354 8360
wasales@specialisedforce.com

Port Headland

4/13 CAJARINA ROAD
WEDGEFIELD WA 6721
TEL: 0417 544 475
FAX: (08) 9354 9360
phsales@specialisedforce.com

Hobart

22/370-380 CAMBRIDGE ROAD
MORNINGTON TAS 7018
TEL: 0427 423 217
FAX: (03) 9761 4966
tassales@specialisedforce.com.au

Melbourne

2/18 SOUTHFORK DRIVE
KILSYTH VIC 3137
TEL: (03) 9761 4199
FAX: (03) 9761 4966
vicsales@specialisedforce.com.au

Townsville

2/1 CIVIL ROAD
GARBUPT QLD 4814
TEL: (07) 4728 8756
FAX: (07) 4725 4380
nqsales@specialisedforce.com.au

Darwin

4/17 WILLES ROAD
BERRIMAH NT 0828
TEL: (08) 8984 4453
FAX: (08) 8984 4390
ntsales@specialisedforce.com.au