

# PORTABLE WINCHES AND ACCESSORIES



**2020  
CATALOGUE**

**TRUE  
POWER  
IN YOUR  
HANDS**







# 2020 CATALOGUE

## PRESENTATION

- 4 A Few Words From Management
- 5 Purpose and Values
- 7 A Bit of History
- 9 User Profiles
- 10 Contact Us

## PORTABLE CAPSTAN WINCHES

- 14 PRO Series  
Comparative Guide
- 17 PCW3000-Li
- 19 Batteries and chargers
- 21 PCW3000
- 23 PCW5000
- 25 INDUSTRIAL Series  
Comparative Guide
- 27 PCW5000-HS
- 29 PCH1000
- 31 PCH2000
- 33 PCT1800

## WINCH KITS

- 37 Forestry
- 41 Hunting
- 45 Off Road
- 49 Garden-Cottage

## RANGE OF ACCESSORIES AND KITS

- 54 Polyester Ropes
- 55 Rope Bags
- 56 Carrying Equipment
- 59 Stainless Steel Pulleys
- 60 Specialized Pulleys
- 61 Carabiners
- 62 Hooks
- 63 Anchorings
- 70 Anchorings in Action
- 74 Capstan Drums
- 75 Others
- 80 Pulling Kits
- 82 Forestry Kits

## USEFUL INFORMATION

- 88 Deviation, Block and Tackle Systems
- 92 Directional Felling
- 94 Safety Factors
- 96 Recommended Knots

## WARRANTY

- 100 Warranty Policy

[WWW.PORTABLEWINCH.COM](http://WWW.PORTABLEWINCH.COM)



WATCH OUR VIDEOS

AND CONSULT [WWW.PORTABLEWINCH.COM](http://WWW.PORTABLEWINCH.COM)  
FOR COMPLEMENTARY INFORMATION

YOU WILL FIND THERE THE INFORMATIONAL DOCUMENTS, THE INSTRUCTION SHEETS, THE USER'S GUIDES AND MORE.



A photograph of two men standing in a forest. The man on the left is wearing a dark grey zip-up sweater and dark trousers, giving a thumbs-up. The man on the right is wearing a red shirt under a dark blazer and blue jeans, also giving a thumbs-up. The background consists of tall evergreen trees.

## **A FEW WORDS FROM MANAGEMENT**

*Dear customers,*

The entire Portable Winch Co. team would like to thank you for your trust.

We are proud to count you among our valued customers and want you to know that we are working day after day, to continue to make Portable Winch Co. the world leader in designing, manufacturing and distributing of portable capstan winches.

Over the years, we have worked to build a network of more than 800 retailers around the world and to develop innovative, high-quality products that meet your needs.

You will therefore find, in this product catalogue, the result of all these years of work. This reference tool allows you to easily find relevant information on the products offered to you.

All our expertise is concentrated there.

Please note that the entire team at the Sherbrooke, Quebec, Canada head office and all the distributors are here to support you, so don't hesitate to contact us if you have any questions or comments.

*We wish you a lot of success!*



---

Pierre Roy  
Chief Executive Officer



---

Christian Pelletier  
Vice-President



# ***PRESENTATION***

## ***OUR PURPOSE***

### **PORTABLE WINCH CO.**

To offer simple and innovative products to accomplish laborious tasks.

Our wide range of products is used worldwide in applications as diverse as: forestry, hunting, off-road hiking, working around the garden, cottage, home, construction, telecommunications and many others!

We have become the **WORLD LEADER** by designing winches with exclusive technologies and features that allow a high degree of autonomy in complete safety. They are therefore portable, compact, simple and easy to use!

## ***OUR VALUES***

### *Listening*

We take pride in our ability to listen to our employees, customers, partners, suppliers, industry experts, and the world. In short, we are attentive to new trends.

### *Competence*

As experts in our field, we strive to improve every day so we can offer original products that meet the real needs of our markets, while still offering fair prices!

### *Fun*

The friendly attitude of Portable Winch Co. is contagious. Motivated and surprising, the company carefully chooses its partners, suppliers, customers, and employees. A friendly relationship is essential for us!





FOUNDED IN 2003



AN INNOVATIVE CORPORATE CULTURE



PROFESSIONAL QUALITY PRODUCTS, PROUDLY MANUFACTURED IN NORTH AMERICA



SOLD IN OVER 50 COUNTRIES



AUTHORIZED DEALERS

**A BIT**

2008  
NEW BUILDING  
CONSTRUCTION

2003

2009

2011

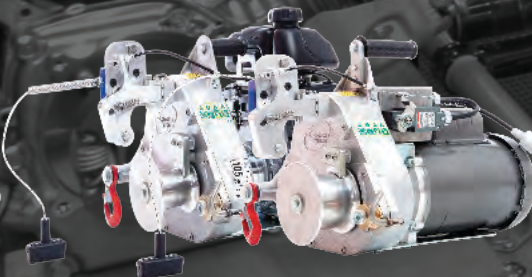
2012

PCW5000

PCH1000  
PCT1800

PCW5000-HS

PCW3000





25  
+  
888

COMMITTED EMPLOYEES



TENS OF THOUSANDS  
OF WINCHES SOLD



7 MODELS OF WINCHES  
HAVE BEEN DEVELOPED SO FAR

50  
+

MORE THAN 50 ACCESSORIES  
AVAILABLE

## OF HISTORY

2013  
FACILITY EXPANSION

2017  
ASSEMBLY LINE  
MODERNIZATION

2019  
2ND FACILITY  
EXPANSION

2014

2016

2018

600MH

PCH2000

PCW3000-Li  
600MH-Li





# USERS



 **Woodlot owner**

 **Hunter**

 **Motor sport enthusiast**

 **Farmer and Rancher**

- Pull logs on the ground
- Do directional felling
- Collect firewood

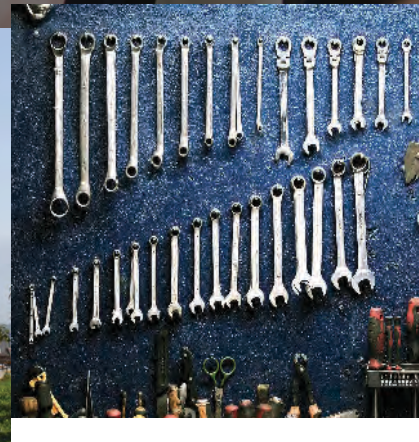
- Take out big game
- Maintain hunting ground
- Build a watchtower/hunting camp

- Remove a vehicle from an unfortunate situation
- Load equipment on a trailer

- Install fencing
- Remove dead animals from a building and load them into a trailer
- Load equipment into a trailer
- Work on the property
- Remove a vehicle from an unfortunate situation



## PROFILES



**owner of a  
second Home**

- Perform small works around the house
- Do directional felling
- Collect firewood
- Pull out a boat or dock



**Professional  
Logger / Arborist**

- Do directional felling
- Prune trees
- Pull logs and branches to the truck and/or shredder



**Industrial Sector**

- Telecommunication infrastructures
- Public service infrastructures, pylons and transmission lines
- Pulling cables and optical-fiber cables
- Research, adventure and exploration
- Marine applications
- Construction and work at height



**And more!**

- There are no limits to what can be accomplished with a portable capstan winch!





## **Pierre Roy**

**President**

proy@portablewinch.com  
+1 819 569-3663 poste 101  
+1 888 388-7855



## **Josianne Boisvert**

**Sales Assistant and  
Customer Service**

jboisvert@portablewinch.com  
+1 819 569-3663 poste 122  
+1 888 388-7855



## **Christian Pelletier**

**Vice-président**

cpelletier@portablewinch.com  
+1 819 569-3663 poste 107  
+1 888 388-7855



## **Gabriel David**

**Shipping Supervisor and  
Export Coordinator**

gdavid@portablewinch.com  
+1 819 569-3663 poste 200  
+1 888 388-7855



## **Jean-William Bergevin**

**Sales Manager – North America**

jwbergevin@portablewinch.com  
+1 819 569-3663 poste 106  
+1 888 388-7855



## **Antoine Denis**

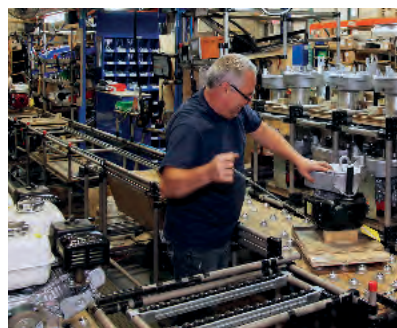
**Marketing Coordinator**

adenis@portablewinch.com  
+1 819 569-3663 poste 117  
+1 888 388-7855

info@portablewinch.com  
+1 819 569-3663  
+1 888 388-7855

1170, Thomas-Tremblay, Sherbrooke, Québec, Canada, J1G 5G5

**WWW.PORTABLEWINCH.COM**















## ***PORTABLE CAPSTAN WINCHES***

Born from an unwavering determination to offer simple tools to perform laborious tasks, Portable Winch winches are dedicated to meeting the diverse needs of our private and commercial customers.

Whether you choose a gas, electric or battery-powered winch, portable capstan winches from Portable Winch Co. will ensure you performance, quality and robustness.





# COMPARATIVE GUIDE



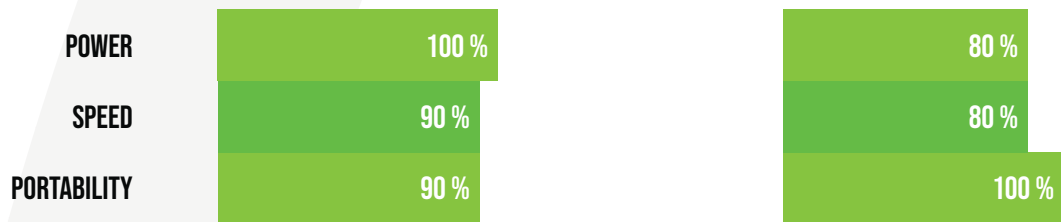
**PCW3000-Li**



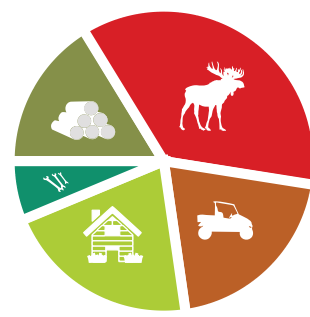
POWERED BY HONDA

**PCW3000**

<b>SINGLE LINE PULLING FORCE</b>		1,000 kg	700 kg
<b>DOUBLE LINE PULLING FORCE</b>		2,000 kg	1,400 kg
<b>WEIGHT</b>		9.5 kg	9.5 kg
<b>SPEED</b>		11.6 m/min	10 m/min
<b>MOTORIZATION</b>		Brushless electric	Honda GX35, 4-Stroke
<b>POWER</b>		1.0 kW - 82 V	1.0 kW   1.6 hp
<b>POWERED BY</b>		Battery	Gas
<b>PRIVATE USE WARRANTY</b>		5 years	5 years



- FORESTRY**
- HUNTING**
- OFF ROAD**
- GARDEN-COTTAGE**
- INDUSTRIAL**







1,000 kg

2,000 kg

16 kg

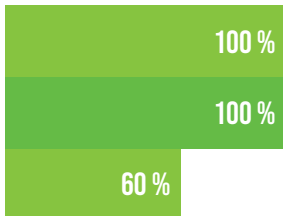
12 m/min

Honda GXH50, 4-Stroke

1.6 kW | 2.1 hp

Gas

5 years







### **The revolutionary winch.**

Instant start with a button. Three speeds. Powerful motor. Interchangeable quick-charge batteries (not included). Indoor and outdoor use.

### **Design**

With its push button starter, the PCW3000-Li is the simplest and fastest winch to start. It is also the first one to offer three operating speeds. In addition, it supports 80/82 V Lithium-Ion batteries, from 2 to 6 Ah, from several major brands.

### **Performance**

Depending on the selected speed, the weight of the pulled load and the chosen battery, the user benefits from a battery life ranging from 20 to 40 minutes of continuous use, without loss of power.

If necessary, it only takes a few seconds to change battery on the spot and continue at the same pace. Batteries can be recharged to full capacity at any time during the discharge cycle without damaging the cells and the engine requires no maintenance. Designed to be used year-round, the winch can be operated down to -14 degrees Celsius without affecting its autonomy or performance.

The PCW3000-Li develops a remarkable pulling force of 1,000 kg without mechanical advantage. By using a pulley system, you can go up to five times (5x) this pulling force. That is, with two double pulleys, you could **pull up to 5,000 kg!**





SINGLE LINE PULLING FORCE  
**1,000 KG**



DOUBLE LINE PULLING FORCE  
**2,000 KG**



WEIGHT  
**9.5 KG**



SPEED  
**SPEED 1 : 8.1 M/MIN**  
**SPEED 2 : 10 M/MIN**  
**SPEED 3 : 11.6 M/MIN**



MOTORIZATION  
**BRUSHLESS ELECTRIC MOTOR**



POWER  
**1.0 kW - 82 V**



POWERED BY  
**BATTERY**



PRIVATE USE WARRANTY  
**5 YEARS**

**Motor:** Brushless electric motor – all positions – 1.0 kW – 82 V

**Battery:** Lithium-Ion 80/82 V from 2 to 6 Ah (not included).  
See section *Batteries and Chargers* on next page.

**Clutch:** None – Direct drive

**Gearbox:**

Aluminium alloy gear box. Heat treated 3-stage helical spur gears. Shafts mounted on ball bearings. Oil bath lubrication.

**Gear Ratio:** 200:1

**Brake:** Anti-reversing roller clutch bearing

<b>Drum:</b>	<b>STANDARD</b>	<b>OPTIONAL</b>
	Ø 76 mm	
Maximum pulling force (single line)	1,000 kg	N/A
Maximum speed	11.6 m/min	

**Weight (dry):** 9.5 kg

**Dimensions (overall):** 30.8 cm x 31.6 cm x 30.9 cm

**Rope:** Double braided with low stretch (*not included*)

**Length:** Unlimited

**Minimum Diameter:** 10 mm

**Maximum Diameter:** 13 mm

**Recommended Diameter:** 10 mm

**Certifications:**

**CE**  
**IPX3**



Battery not included.

**Included**

Polyester sling 60 mm x 2 m

**Warranty:**

Private Use: 5 years

Commercial Use: 1 year

Motor: Portable Winch Co. International Warranty

Get 1 additional year of warranty if you register your product at

[www.portablewinch.com](http://www.portablewinch.com)







## BATTERIES AND CHARGERS

Lithium-Ion batteries are considered one of the greatest innovations in nearly 20 years!

Indeed, these batteries offer several benefits:

**COMPATIBLE:** With other battery tools such as chainsaws, edgers, lawnmowers, leaf blowers, etc.

**RECHARGEABLE:** Can be charged to full capacity at any time during the discharge cycle without damaging the cells.

**SIMPLE:** Feature an energy gauge that displays the charge level in order to evaluate the remaining operating time before or during work.

**PROFESSIONAL PERFORMANCE:** Thanks to their extremely high efficiency, they provide enough power to operate powerful tools for a long period of time. In addition, they have a low self-discharge rate when not in use. Only 1.25% per month.

**ZERO EMISSIONS:** Electric motors do not produce exhaust gases or emissions. They can therefore be used both outdoors and indoors. In addition, the use of rechargeable batteries implies a sustainable use of resources.

Several brands and models of batteries and chargers are compatible with our winch PCW3000-Li.

This is a non-exhaustive list. Other brands or models could be added. We invite you to contact your dealer to find out which ones are available in your area.

B A T T E R I E S	BRAND NAME	MODEL	TENSION	RATED CAPACITY	RECHARGE TIME (100%)	WEIGHT (KG)
	BRIGGS & STRATTON / SNAPPER XD	BSB2AH82	82 V	2 Ah	30 min	1.5
	BRIGGS & STRATTON / SNAPPER XD	BSB4AH82	82 V	4 Ah	60 min	2.6
	BRIGGS & STRATTON / SNAPPER XD	BSB5AH82	82 V	5 Ah	75 min	2.6
	GREENWORKS COMMERCIAL	GL 250	82 V	2.5 Ah	36 min	1.5
	GREENWORKS COMMERCIAL	GL 400	82 V	4 Ah	60 min	2.6
	GREENWORKS COMMERCIAL	GL 500	82 V	5 Ah	72 min	2.6
	GREENWORKS PRO	2901302	80 V	2 Ah	30 min	1.5
	GREENWORKS PRO	2902502	80 V	5 Ah	90 min	2.5
	CRAMER	82V220G	82 V	3 Ah	45 min	1.6
	CRAMER	82V430G	82 V	6 Ah	90 min	2.6
	CRAMER (BLUETOOTH)	82V430	82 V	6 Ah	90 min	3.1
	STIGA	SBT 2580 AE	80 V	2.5 Ah	40 min	1.6
STIGA	SBT 4080 AE	80 V	4 Ah	60 min	2.5	
STIGA	SBT 5080 AE	80 V	5 Ah	75 min	2.5	

C H A R G E R S	BRAND NAME	MODEL	TENSION	RATED CAPACITY	NUMBER OF SLOTS	WEIGHT (KG)
	BRIGGS & STRATTON / SNAPPER XD	BSRC82	82 V	4 A	1	1.5
	GREENWORKS COMMERCIAL	GC 400	82 V	4 A	1	1.6
	GREENWORKS COMMERCIAL	GC 420	82 V	4 A	2	2.0
	GREENWORKS PRO	2901402	80 V	4 A	1	1.5
	CRAMER	82C1G	82 V	4 A	1	1.6
	CRAMER	82C2	82 V	4 A	2	2.0
	STIGA	SFC 80 AE	80 V	4 A	1	1.3



A man with a long, grey beard and mustache, wearing a camouflage hat and jacket, stands in a field of tall grass. He is holding a silver winch with two red hooks. The winch is mounted on a black frame. The background is a soft-focus field of tall grass under a bright sky.

### Compact Power

The PCW3000 capstan winch is nothing short of a tour de force to deliver incredible pulling power, in the smallest format designed by Portable Winch Co. Coupled with the 360°-inclinable GX35 Honda engine, it will be your best companion no matter where your next mission is.

### Design

The PCW3000 was designed to meet the demand for an even more portable model than the original winch PCW5000. Its capstan drum concept allows users to pull loads over an unlimited length of rope, without loss of power, in a simple, effective, and safe way. In addition, a wide range of accessories has been designed specifically to carry it over long distances!

### Performance

The proven reliability of Honda engines, combined with Portable Winch ingenuity, makes the PCW3000 a formidable competitor on the market. The winch can pull up to 700 kg without mechanical advantage. By adding a pulley system, you can go up to five times (5x) the pulling force. That means, with two double pulleys, you could **move up to 3,500 kg!**





SINGLE LINE PULLING FORCE  
**700 KG**



DOUBLE LINE PULLING FORCE  
**1,400 KG**



WEIGHT  
**9.5 KG**



SPEED  
**10 M/MIN**



MOTORIZATION  
**HONDA 4-STROKE GX35**



POWER  
**1.0 kW | 1.6 HP**



POWERED BY  
**GAS**



PRIVATE USE WARRANTY  
**5 YEARS**

**Engine :** All positions, 4-Stroke, Honda GX35

**Clutch :** None – Direct drive

**Gearbox:**

Aluminium alloy gear box. Heat treated 3-stage helical spur gears. Shafts mounted on ball bearings. Oil bath lubrication.

**Gear Ratio:** 200:1

**Brake:** Anti-reversing roller clutch bearing

<b>Drum:</b>	<b>STANDARD</b>	<b>OPTIONAL</b>
	Ø 76 mm	
Maximum pulling force (single line)	700 kg	N/A
Speed	10 m/min	

**Weight (dry):** 9.5 kg

**Dimensions (overall):** 35 cm x 28.9 cm x 26.1 cm

**Rope:** Double braided with low stretch (*not included*)

**Length:** Unlimited

**Minimum Diameter:** 10 mm

**Maximum Diameter:** 13 mm

**Recommended Diameter:** 10 mm

**Certification:**



**Included:**

Polyester sling 60 mm x 2 m

**Warranty:**

Private Use: 5 years

Commercial Use: 1 year

Engine: Honda International Warranty

Get 1 additional year of warranty if you register your product at

[www.portablewinch.com](http://www.portablewinch.com)



### The original winch.

Whether it's for pulling trees out of the woods, getting a stuck vehicle out, or any other purpose, the inexhaustible PCW5000 will be there to help you.

### Design

Its robust design makes it the Portable Winch benchmark for quality and durability: ingenious products, offering durable power without compromise, anywhere. The capstan winch concept allows users to pull loads over an unlimited length of rope, without loss of power, in a simple, effective, and safe way.

In addition, the PCW5000 offers two speed options thanks to its interchangeable capstan drums. You can choose the one that will best suit your task. The 57-mm diameter drum, standard on the winch, delivers all the power with a pulling speed of

12 metres per minute. For more speed, the optional 85-mm drum (PCA-1100) will give you 50% more speed, or 18 metres per minute. A wide range of complementary accessories has been specifically designed to meet your needs.

### Performance

The PCW5000 develops a remarkable pulling force of 1,000 kg without mechanical advantage. By adding a pulley system, you can go up to five times (5x) the pulling force. That means, with two double pulleys, you could pull up to 5,000 kg!







SINGLE LINE PULLING FORCE  
**1,000 KG**



DOUBLE LINE PULLING FORCE  
**2,000 KG**



WEIGHT  
**16 KG**



SPEED  
**12 M/MIN**



MOTORIZATION  
**HONDA 4-STROKE GXH50**



POWER  
**1.6 kW | 2.1 HP**



POWERED BY  
**GAS**



PRIVATE USE WARRANTY  
**5 YEARS**

**Engine :** Honda 4-Stroke GXH50

**Clutch :** None – Direct drive

**Gearbox:**

Aluminium alloy gear box. Heat treated 3-stage spur gears. Shafts mounted on ball bearings. Oil bath lubrication.

**Gear Ratio:** 110:1

**Brake:** Anti-reversing roller clutch bearing

<b>Drum:</b>	<b>STANDARD</b>	<b>OPTIONAL</b>
	Ø 57 mm	Ø 85 mm
Maximum pulling force (single line)	1,000 kg	700 kg
Speed	12 m/min	18 m/min

**Weight (dry):** 16 kg

**Dimensions (overall):** 37.1 cm x 36.6 cm x 36.6 cm

**Rope:** Double braided with low stretch (*not included*)

**Length:** Unlimited

**Minimum Diameter:** 10 mm

**Maximum Diameter:** 13 mm

**Recommended Diameter:** 12 mm

**Certification:**



**Included:**

Polyester sling 60 mm x 2 m

**Warranty:**

Private Use: 5 years

Commercial Use: 1 year

Engine: Honda International Warranty

Get 1 additional year of warranty if you register your product at

[www.portablewinch.com](http://www.portablewinch.com)



# COMPARATIVE GUIDE



POWERED BY HONDA

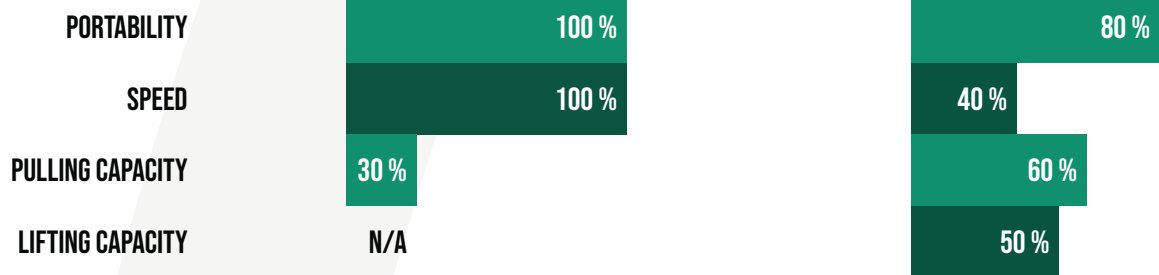
**PCW5000-HS**



POWERED BY HONDA

**PCH1000**

<b>SINGLE LINE PULLING FORCE</b>		350 kg	775 kg
<b>DOUBLE LINE PULLING FORCE</b>		700 kg	1550 kg
<b>LIFTING CAPACITY</b>		N / A	250 kg
<b>WEIGHT</b>		16 kg	19 kg
<b>SPEED</b>		36 m/min	12 m/min
<b>MOTORIZATION</b>		Honda 4-Stroke GXH50	Honda 4-Stroke GXH50
<b>POWER</b>		1.6 kW   2.1 hp	1.6 kW   2.1 hp
<b>POWERED BY</b>		Gas	Gas
<b>COMMERCIAL USE WARRANTY</b>		1 year	1 year

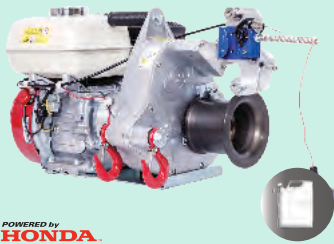


- FORESTRY**
- HUNTING**
- OFF ROAD**
- GARDEN-COTTAGE**
- INDUSTRIAL**



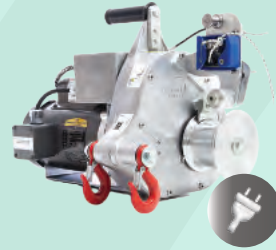


# WINCHES INDUSTRIAL SERIES



POWERED BY  
**HONDA**

**PCH2000**



**PCT1800**

1150 kg

2300 kg

450 kg

34.5 kg

20 m/min

Honda 4-Stroke GX160

3.6 kW | 4.8 hp

Gas

1 year

820 kg

1640 kg

250 kg

27 kg

7.2 m/min

Baldor

0.56 kW | 0.75 hp

Electric

1 year

50 %

60 %

100 %

100 %

70 %

30 %

70 %

50 %







### The High-Speed

The PCW5000-HS is the winch with the highest pulling speed. An outstanding ally! For work requiring more speed than capacity, such as cable pulling or optical-fibre cable installing.

### Design

Based on the same successful design as the PCW5000, the PCW5000-HS is built with a gearbox optimized for speed. Thus, at 36 metres per minute, it can pull loads three (3) times faster than its predecessor, making it ideal for smaller loads over longer distances.

In addition, the winch's capstan drum concept allows users to pull loads over an unlimited length of rope, without loss of power, in a simple, effective, and safe way.

### Performance

The PCW5000-HS develops a pulling force of 350 kg, without mechanical advantage. By adding a pulley system, you can go up to five times (5x) the pulling force. That means, with two double pulleys, you could **pull up to 1,750 kg!**





SINGLE LINE PULLING FORCE  
**350 KG**



DOUBLE LINE PULLING FORCE  
**700 KG**



WEIGHT  
**16 KG**



SPEED  
**36 M/MIN**



MOTORIZATION  
**HONDA 4-STROKE GXH50**



POWER  
**1.6 kW | 2.1 HP**



POWERED BY  
**GAS**



COMMERCIAL USE WARRANTY  
**1 YEAR**

**Engine :** Honda 4-stroke GXH50

**Clutch :** None – Direct drive

#### **Gearbox:**

Aluminium alloy gear box. Heat treated 3-stage spur gears. Shafts mounted on ball bearings. Oil bath lubrication.

**Gear Ratio:** 53:1

**Brake:** Anti-reversing roller clutch bearing

<b>Drum:</b>	<b>STANDARD</b>	<b>OPTIONAL</b>
	Ø 85 mm	Ø 57 mm
Maximum pulling force (single line)	350 kg	500 kg
Speed	36 m/min	24 m/min

**Weight (dry):** 16 kg

**Dimensions (overall):** 37.1 cm x 36.6 cm x 36.6 cm

**Rope:** Double braided with low stretch (*not included*)

**Length:** Unlimited

**Minimum Diameter:** 10 mm

**Maximum Diameter:** 13 mm

**Recommended Diameter:** 12 mm

#### **Certification:**



#### **Included:**

Polyester sling 60 mm x 2 m

#### **Warranty:**

Private Use: 5 years

Commercial Use: 1 year

Engine: Honda International Warranty

Get 1 additional year of warranty if you register your product at

[www.portablewinch.com](http://www.portablewinch.com)





### Lifting in complete safety.

Specifically designed for the lifting needs of the industrial sector, the PCH1000 features the rope grabbing system, essential for safely lifting, lowering and retaining loads. Whether it is for applications such as telecommunication structures assembling, lifting of various equipment on a site, or simply for pulling loads, the PCH1000 is versatile and safe. In addition, a wide variety of anchoring systems are available so you can easily do your set up.

### Design

Located between the engine and the gearbox, the clutch system ensures that the capstan drum does not rotate when the engine idles.

Once the rope is inserted into the grabbing system, the operator activates the clutch and initiates the movement simply by pulling on the rope horizontally. The rope grabbing system prevents the rope from slipping on the drum and holds the load when the rope is released. The winch can also be used to lower a load by disengaging the grabbing system. To do this, the operator should simply pull the handle of the grabbing system cord and control the main rope during the descent.

### Performance

Equipped with the 4-stroke GXH50 Honda engine, the PCH1000 develops a pulling force of 775 kg and offers a lifting capacity of 250 kg in a single line setup. Of course, a block and tackle system will allow you to increase its capacity!





SINGLE LINE PULLING FORCE  
**775 KG**



DOUBLE LINE PULLING FORCE  
**1550 KG**



LIFTING CAPACITY  
**250 KG**



WEIGHT  
**19 KG**



SPEED  
**12 M/MIN**



MOTORIZATION  
**HONDA 4-STROKE GXH50**



POWER  
**1.6 kW | 2.1 HP**



POWERED BY  
**GAS**



COMMERCIAL USE WARRANTY  
**1 YEAR**

**Engine :** Honda GXH50 4-stroke

**Clutch :** Centrifugal

#### Gearbox:

Aluminium alloy gear box. Heat treated 3-stage spur gears. Shafts mounted on ball bearings. Oil bath lubrication.

**Gear Ratio:** 110:1

**Brake:** Anti-reversing roller clutch bearing

	STANDARD	OPTIONAL
<b>Drum:</b>	Ø 57 mm	Ø 85 mm
Maximum pulling force (single line)	775 kg	540 kg
Lifting capacity (single line)	250 kg	175 kg
Speed	12 m/min	18 m/min

**Weight (dry):** 19 kg

**Dimensions (overall):** 50.5 cm x 36.6 cm x 36.6 cm

**Rope:** Double braided with low stretch (*not included*)

**Length:** Unlimited

**Minimum Diameter:** 12 mm

**Maximum Diameter:** 13 mm

**Recommended Diameter:** 12 mm

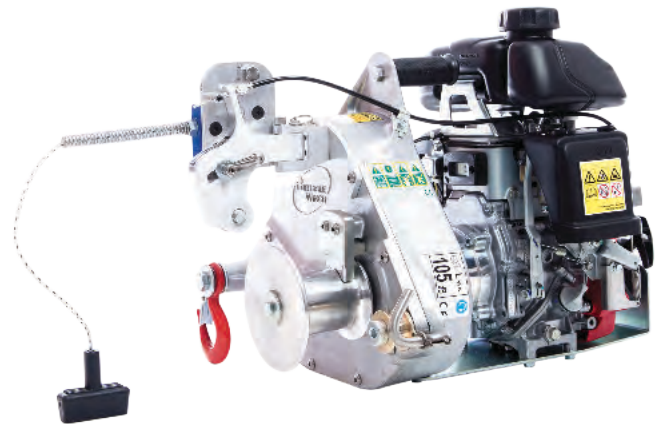
**For lifting:** Eye splice and thimble **strongly recommended**

**Rope Grabbing System :** Included (*can be disengaged*)

#### Certifications:

CE

**M3** (ISO LIFTING)



#### Included:

Polyester sling 60 mm x 2 m

#### Warranty:

Private Use: 2 years

Commercial Use: 1 year

Engine: Honda International Warranty

Get 1 additional year of warranty if you register your product at

[www.portablewinch.com](http://www.portablewinch.com)





### **The Almighty.**

The PCH2000 is the most powerful winch available; performing the most demanding tasks smoothly.

### **Design**

The PCH2000 has a capstan drum that allows to maintain a constant force, over an unlimited length of rope, at a speed of 20 metres per minute. It is also the first model to offer a 108-mm anodized drum. By oversizing the drum, the friction surface expands, and it results in better load control. Through anodic oxidation treatment, the PCH2000's drum features better wear resistance and does not increase the rope's conductivity. These attributes make it ideal for its assignment to tasks around and on electrical structures!

Developed for lifting, the PCH series benefits from its own unique clutch and rope grabbing system. Once the rope is inserted into the grabbing system, the operator activates the clutch and initiates the movement by pulling the rope horizontally. At any time, the operator can decide to stop lifting and hold the load in mid-air. It is also possible to pull on the handle of the cord attached to the grabbing system to disengage it and lower the load, while controlling the main rope in the descent.

### **Performance**

Powered by a 160 cc Honda GX series engine, the PCH2000 features an unprecedented pulling power of 1,150 kg and a lifting capacity of 450 kg in a single line. Of course, a block and tackle system will allow you to increase its capacity!





SINGLE LINE PULLING FORCE  
**1150 KG**



DOUBLE LINE PULLING FORCE  
**2300 KG**



LIFTING CAPACITY  
**450 KG**



WEIGHT  
**34.5 KG**



SPEED  
**20 M/MIN**



MOTORIZATION  
**HONDA 4-STROKE GX160**



POWER  
**3.6 kW | 4.8 HP**



POWERED BY  
**GAS**



COMMERCIAL USE WARRANTY  
**1 YEAR**

**Engine :** Honda 4-Stroke GX160

**Clutch :** Centrifugal

#### Gearbox:

Aluminium alloy gear box. Heat treated 3-stage spur gears. Shafts mounted on ball bearings. Oil bath lubrication.

**Gear Ratio:** 53:1

**Brake:** Unidirectional double bearing

Drum:	STANDARD	OPTIONAL
Maximum pulling force (single line)	Ø 108 mm 1150 kg	
Lifting capacity (single line)	450 kg	N/A
Speed	20 m/min	

**Weight (dry):** 34.5 kg

**Dimensions (overall):** 56 cm x 48.3 cm x 35.6 cm

**Rope:** Double braided with low stretch (*not included*)

**Length:** Unlimited

**Minimum Diameter:** 12 mm

**Maximum Diameter:** 13 mm

**Recommended Diameter:** 12 mm

**For lifting:** Eye splice and thimble **strongly recommended**

**Rope Grabbing System :** Included (*can be disengaged*)

#### Certifications:

CE

**M3** (ISO LIFTING)



#### Included:

Polyester sling 60 mm x 2 m

#### Warranty:

Private Use: 2 years

Commercial Use: 1 year

Engine: Honda International Warranty

Get 1 additional year of warranty if you register your product at

[www.portablewinch.com](http://www.portablewinch.com)





### **The Plug-In Winch**

The PCT1800 is recommended for situations where a conventional combustion engine is unusable or where noise is an issue. This electric winch designed for lifting and pulling is ideal for indoor work, such as pulling wire through pipes or hoisting equipment.

### **Design**

As with all other Portable Winch models, the PCT1800 has a capstan drum that maintains the same force throughout the work, over an unlimited length of rope at a speed of 8.8 metres per minute. Specifically developed for lifting winches, the rope grabbing system is found on the PCT1800 series. Once the rope is inserted into the grabbing system, the operator activates the winch and initiates the movement simply by pulling horizontally on the rope. At any time, the operator can decide to stop lifting and keep the load in suspension, without any problem. In order to lower a load, the operator must pull the grabbing system cord handle to disengage. Then, the operator will be able to control the main rope in its lowering movement. If ever the rope was to slip out of the operator's hands, the grabbing system would grip the rope and prevent the load from collapsing to the ground.

### **Performance**

Powered by a 1 ph - 3/4 hp electric motor, the PCT1800 develops a pulling force of 820 kg and offers a lifting capacity of 250 kg in a single line. Of course, a block and tackle system will allow you to increase these capacities!



# PCT1800 - 60Hz-P-120V<sup>(1)</sup> 50Hz-P-230V<sup>(2)</sup>

# INDUSTRIAL SERIE

## Electric Pulling / Lifting Winch



SINGLE LINE PULLING FORCE  
**820 KG**



DOUBLE LINE PULLING FORCE  
**1640 KG**



LIFTING CAPACITY  
**250 KG**



WEIGHT  
**24 KG<sup>(1)</sup> | 27 KG<sup>(2)</sup>**



SPEED  
**8.8 M/MIN<sup>(1)</sup>  
7.2 M/MIN<sup>(2)</sup>**



MOTORIZATION  
**BALDOR - 1 PH**



POWER  
**0.56 kW | 0.75 HP**



POWERED BY  
**ELECTRICITY 120 V / 230 V**



COMMERCIAL USE WARRANTY  
**1 YEAR**

**Engine :** Baldor C.A. TEFC - 115/230 VAC - 1 ph - 3/4 HP - 60 Hz<sup>(1)</sup>  
Baldor C.A. TEFC - 230 VAC - 1 ph - 3/4 HP - 50 Hz<sup>(2)</sup>

**Clutch :** Direct Drive

### Gearbox:

Aluminium alloy gear box. Heat treated 3-stage spur gears. Shafts mounted on ball bearings. Oil bath lubrication.

**Gear Ratio:** 110:1

**Brake:** Anti-reversing roller clutch bearing

	STANDARD	OPTIONAL
<b>Drum:</b>	Ø 85 mm	Ø 57 mm
Maximum pulling force (single line)	820 kg	1,000 kg
Lifting capacity (single line)	250 kg	250 kg
Speed	60Hz-P-120V 50Hz-P-230V	8.8 m/min 7.2 m/min
		5.8 m/min 4.8 m/min

**Weight (dry):** 24 kg<sup>(1)</sup> | 27 kg<sup>(2)</sup>

**Dimensions (overall):** 55.6 cm x 36.6 cm x 36.6 cm

**Recommended Work Cycle:** 25% (15 min. per hour)

**Rope:** Double braided with low stretch (*not included*)

**Length:** Unlimited

**Minimum Diameter:** 12 mm

**Maximum Diameter:** 13 mm

**Recommended Diameter:** 12 mm

**For lifting:** Eye splice and thimble **strongly recommended**

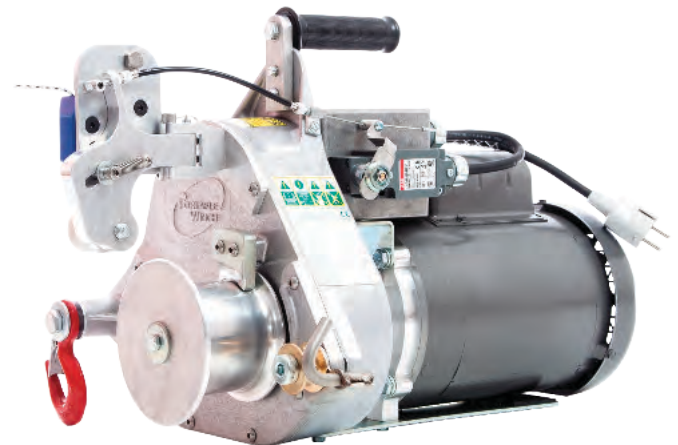
**Rope Grabbing System :** Included (*can be disengaged*)

### Certifications:

CE

M3 (ISO LIFTING)

IP54 (NEMA)



### Included:

Polyester sling 60 mm x 2 m

### Warranty:

Private Use: 2 years

Commercial Use: 1 year

Motor : International Warranty Baldor

Get 1 additional year of warranty if you register your product at

[www.portablewinch.com](http://www.portablewinch.com)









## **WINCH KITS**

**FORESTRY HUNTING**  
**OFF ROAD GARDEN-COTTAGE**

At Portable Winch, we know that, in order to take advantage of the full potential of a capstan winch, it must be used with the right accessories. That's why we have developed a complete range of accessories to take the most out of it.

Here you will find pre-assembled kits built by our team of experts, classified by category. Whether your need is for forestry, hunting, off road, work around the house or cottage, we have thought of everything!

You will find 3 kits in each category (each one with a different model of winch). To help you make your choice, we have highlighted the most popular one in each category.

These kits will allow you to achieve what they are intended for, but nothing keeps you from complementing them with other accessories to achieve other tasks.











**MOST POPULAR  
CHOICE**

## PCW5000

Maximum pulling force: 1,000 kg  
Weight : 16 kg  
Speed : 12 m/min

## PCA-1295

30 cm steel rod  
Chain Length: 2.1 m  
Material: Zinc-plated steel  
Minimum Breaking Strength: 56.9 kN (5,818 kg)

## PCA-1274

Minimum Breaking Strength:  
90 kN (9,185 kg)  
Diameter: 100 mm

## PCA-1215M

Material: Double  
braided polyester  
Minimum Breaking Strength:  
3,300 kg

## PCA-1290

Material: High-  
performance plastic  
Diameter: 50.8 cm

## PCA-1255

Material: Nylon  
Volume: 22 L

## PCA-1276

Material: Zinc-plated steel  
Minimum Breaking Strength:  
25 kN (2,550 kg)

## PCA-1260

60 mm x 2 m  
Minimum Breaking Strength :  
14,000 kg

## PCA-1282

Material: Zinc-plated steel  
Minimum Breaking Strength: 20 kN (2,040 kg)



### PCW5000-FK

- 1x PCW5000  
GAS-POWERED PULLING WINCH GXH50
- 1x PCA-1274  
SINGLE SWING SIDE PULLEY
- 1x PCA-1290  
SKIDDING CONE
- 2x PCA-1276  
LOCKING CARABINER
- 1x PCA-1282  
LOCKING GRAB HOOK
- 1x PCA-1260  
POLYESTER SLING
- 1x PCA-1255  
ROPE BAG
- 1x PCA-1215M  
ROPE 12 MM X 50 M
- 1x PCA-1295  
CHOKER CHAIN

**The most popular choice for woodlot owners and occasional loggers, the PCW5000-FK kit includes the PCW5000 winch and accessories adapted to extract logs.**

It includes the skidding cone (PCA-1290), which prevents logs from getting stuck in roots, stumps and other obstacles. Its shape allows it to slide along the residual trees, thus avoiding injuries during regeneration.

The 12 mm x 50 m rope allows you to reach trees where they are. As for the single pulley, it will be useful to deviate the load or to double the pulling force if need be. Combined with the 1,000-kg power offered by the winch PCW5000, you will obtain 2,000 kg of force!

The essential original kit to get wood out and face all the situations encountered in the forest!



Note: One (1) 60 mm x 2 m polyester anchor sling is included with the winch.



## PCW3000

Maximum Pulling Force: 700 kg  
Weight: 9.5 kg  
Speed: 10 m/min

## PCA-1275

Minimum Breaking Strength :  
60 kN (6,125 kg)  
Diameter: 76 mm

## PCA-0102

Dimensions: 47 x 44 x 33 cm  
Weight: 4.8 kg  
Material: High-performance plastic

## PCA-1290

Material: High-performance plastic  
Diameter: 50.8 cm

## PCA-1276

Material: Zinc-plated steel  
Minimum Breaking Strength:  
25 kN (2,550 kg)

## PCA-1282

Material: Zinc-plated steel  
Minimum Breaking Strength: 20 kN (2,040 kg)

## PCA-1295

30 cm steel rod  
Chain Length: 2.1 m  
Material: Zinc-plated steel  
Minimum Breaking Strength:  
56.9 kN (5,818 kg)

## PCA-1205M

Material: Double braided polyester  
Minimum Breaking Strength: 2,200 kg

## PCA-1255

Material: Nylon  
Volume: 22 L

## PCA-1260

60 mm x 2 m  
Minimum Breaking Strength :  
14,000 kg



## PCW3000-FK

- 1x PCW3000  
GAS-POWERED PULLING WINCH GX35
- 1x PCA-1275  
SINGLE SWING SIDE PULLEY
- 1x PCA-0102  
TRANSPORT CASE
- 1x PCA-1290  
SKIDDING CONE
- 2x PCA-1276  
LOCKING CARABINER
- 1x PCA-1282  
LOCKING GRAB HOOK
- 1x PCA-1260  
POLYESTER SLING
- 1x PCA-1255  
ROPE BAG
- 1x PCA-1205M  
ROPE 10 MM X 50 M
- 1x PCA-1295  
CHOKER CHAIN

**For a more compact choice, woodlot owners and occasional loggers choose the kit PCW3000-FK, which includes the all-position winch PCW3000 as well as a protective box and accessories adapted to extract logs.**

The skidding cone (PCA-1290) prevents logs from getting stuck in roots, stumps and other obstacles. Its shape allows it to slide along the residual trees, thus avoiding injuries during regeneration.

The 10 mm x 50 m rope allows you to reach trees where they are. The single pulley will be useful to deviate the load or to double the pulling force when the time comes. Combined with the 700-kg power offered by the winch PCW3000, you will get 1,400 kg of force!

An interesting alternative to the kit PCW5000-FK for those walking over longer distances!



Note: One (1) 60 mm x 2 m polyester anchor sling is included with the winch.



## PCW3000-Li-FK

### PCW3000-Li

Maximum Pulling Force: 1,000 kg  
Weight: 9.5 kg  
Speed: 11.6 m/min

### PCA-1295

30 cm steel rod  
Chain Length: 2.1 m  
Material: Zinc-plated steel  
Minimum Breaking Strength: 56.9 kN (5,818 kg)

### PCA-1275

Minimum Breaking Strength :  
60 kN (6,125 kg)  
Diameter: 76 mm

### PCA-1205M

Material: Double  
braided polyester  
Minimum Breaking Strength:  
2,200 kg

### PCA-0106

3 compartments + 2 pockets  
Dimensions: 33 x 53 x 33 cm  
Material: Nylon Cordura

### PCA-1260

60 mm x 2 m  
Minimum Breaking Strength:  
20 kN (2,040 kg)

### PCA-1276

Material: Zinc-plated steel  
Minimum Breaking Strength:  
25 kN (2,550 kg)

### PCA-1282

Material: Zinc-plated steel  
Minimum Breaking Strength:  
20 kN (2,040 kg)

### PCA-1290

Material: High-performance plastic  
Diameter: 50.8 cm

Battery and charger not included

### PCW3000-Li-FK

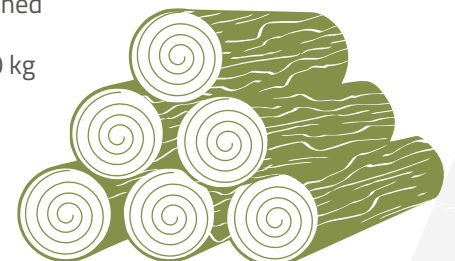
- 1x PCW3000-Li  
BATTERY-POWERED PULLING WINCH 80/82 V
- 1x PCA-1275  
SINGLE SWING SIDE PULLEY
- 1x PCA-0106  
TRANSPORT BAG
- 2x PCA-1276  
LOCKING CARABINER
- 1x PCA-1290  
SKIDDING CONE
- 1x PCA-1282  
LOCKING GRAB HOOK
- 1x PCA-1260  
POLYESTER SLING
- 1x PCA-1205M  
ROPE 10 MM X 50 M
- 1x PCA-1295  
CHOKER CHAIN

**For an ecological and compact choice, the kit PCW3000-Li-FK, with the high-performance battery-powered winch, brings together the essentials for woodlot owners and occasional loggers.**

The skidding cone (PCA-1290) prevents logs from getting stuck in roots, stumps and other obstacles. Its shape allows it to slide along the residual trees, thus avoiding injuries during regeneration.

The 10 mm x 50 m rope allows you to reach trees everywhere. The single pulley will be useful to deviate the load or double the pulling force if need be. Combined with the 1,000-kg power offered by the winch PCW3000-Li, you will obtain 2,000 kg of strength!

An interesting alternative to the kit PCW3000-FK if you enjoy having no maintenance to perform.



Note: Battery and charger not included. One (1) 60 mm x 2 m polyester anchor sling is included with the winch.









**MOST POPULAR  
CHOICE**

## PCW3000

Maximum Pulling Force: 700 kg  
Weight: 9.5 kg  
Speed: 10 m/min

## PCA-1275

Minimum Breaking Strength :  
60 kN (6,125 kg)  
Diameter: 76 mm

## PCA-0102

Dimensions: 47 x 44 x 33 cm  
Weight: 4.8 kg  
Material: High-performance  
plastic

## PCA-0103

Material: Durable vinyl  
Length: 30 cm  
Height: 38 cm

## PCA-0104

Dimensions: 40 x 18 x 54 cm  
Weight: 1.8 kg  
Material: Polymer

## PCA-1205M

Material: Double braided polyester  
Minimum Breaking Strength: 2,200 kg

## PCA-1260

60 mm x 2 m  
Minimum Breaking Strength :  
14,000 kg

## PCA-1276

Material: Zinc-plated steel  
Minimum Breaking  
Strength: 25 kN (2,550 kg)



## PCW3000-HK

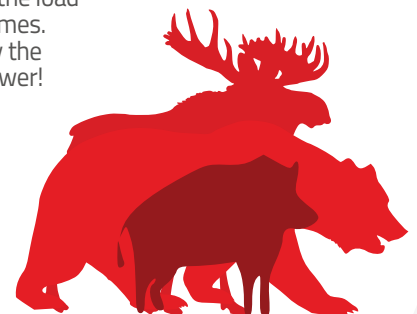
- 1x PCW3000  
GAS-POWERED PULLING WINCH GX35
- 1x PCA-1275  
SINGLE SWING SIDE PULLEY
- 1x PCA-0102  
TRANSPORT CASE
- 1x PCA-0103  
ROPE BAG
- 1x PCA-0104  
MOLDED PACK FRAME
- 2x PCA-1276  
LOCKING CARABINER
- 1x PCA-1260  
POLYESTER SLING
- 1x PCA-1205M  
ROPE 10 MM X 50 M

**The hunters' most popular choice, the kit PCW3000-HK includes the all-position winch PCW3000 as well as the essentials to go searching for your next game.**

The molded backpack, to which the case and the rope bag are attached, allows you to carry your winch, rope and accessories on your shoulders, making it easier to move around the forest in an ergonomic and convenient way.

The 10 mm x 50 m rope allows you to reach your game wherever it is. The single pulley will be useful to deviate the load or double the pulling force when the time comes. Combined with the 700-kg power offered by the winch PCW3000, you will get 1,400 kg of power!

The ideal kit for walking over long distances!



Note: One (1) 60 mm x 2 m polyester anchor sling is included with the winch.



## PCW5000

Maximum pulling force: 1,000 kg  
Weight : 16 kg  
Speed : 12 m/min

## PCA-1372

30 cm steel rod  
Rope Length: 10 mm x 2.1 m  
Minimum Breaking Strength:  
69 kN (7,040 kg)

## PCA-1274

Minimum Breaking Strength:  
90 kN (9,185 kg)  
Diameter: 100 mm

## PCA-1215M

Material: Double  
braided polyester  
Minimum Breaking Strength:  
3,300 kg

## PCA-0100

Dimensions: 66 x 58 x 41 cm  
Weight: 8 kg  
Material:  
High-performance plastic

## PCA-1255

Material: Nylon  
Volume: 22 L

## PCA-1276

Material: Zinc-plated steel  
Minimum Breaking Strength:  
25 kN (2,550 kg)

## PCA-1260

60 mm x 2 m  
Minimum Breaking  
Strength : 14,000 kg

## PCA-1261

Material: Zinc plated steel

## PCA-1282

Material: Zinc-plated steel  
Minimum Breaking Strength:  
20 kN (2,040 kg)

## PCW5000-HK

- 1x PCW5000  
GAS-POWERED PULLING WINCH GXH50
- 1x PCA-1274  
SINGLE SWING SIDE PULLEY
- 1x PCA-0100  
TRANSPORT CASE
- 2x PCA-1276  
LOCKING CARABINER
- 1x PCA-1261  
ANCHOR PLATE FOR TOWING BALLS
- 1x PCA-1282  
LOCKING GRAB HOOK
- 1x PCA-1260  
POLYESTER SLING
- 1x PCA-1255  
ROPE BAG
- 1x PCA-1215M  
ROPE 12 MM X 50 M
- 1x PCA-1372  
HPPE ROPE CHOKER

**For those who want more power, the kit PCW5000-HK is an interesting option, as it includes the winch PCW5000.**

You can carry and protect the winch in the rigid transport box. You can also store the smallest accessories inside. It comes with a 12 mm x 50 m rope that can be stored in the rope bag.

The single pulley will be useful to deviate the load or double the pulling force when needed. Combined with the 1,000-kg power offered by the winch PCW5000, you will obtain 2,000 kg of force!

A complete kit for those who want the winch PCW5000!



Note: One (1) 60 mm x 2 m polyester anchor sling is included with the winch.



## PCW3000-Li-HK

### PCW3000-Li

Maximum Pulling Force: 1,000 kg  
Weight: 9.5 kg  
Speed: 11.6 m/min

### PCA-1372

30 cm steel rod  
Rope Length: 10 mm x 2.1 m  
Minimum Breaking Strength: 69 kN (7,040 kg)

### PCA-1275

Minimum Breaking Strength :  
60 kN (6,125 kg)  
Diameter: 76 mm

### PCA-1205M

Material: Double  
braided polyester  
Minimum Breaking Strength:  
2,200 kg

### PCA-0106

3 compartments  
+ 2 pockets  
Dimensions: 33 x 53 x 33 cm  
Material: Nylon Cordura

### PCA-1276

Material:  
Zinc-plated steel  
Minimum Breaking Strength:  
25 kN (2,550 kg)

### PCA-1260

60 mm x 2 m  
Minimum Breaking  
Strength : 14,000 kg

### PCA-1282

Material: Zinc-plated steel  
Minimum Breaking Strength:  
20 kN (2,040 kg)



Battery and charger not included

### PCW3000-Li-HK

- 1x PCW3000-Li  
BATTERY-POWERED PULLING WINCH 80/82 V
- 1x PCA-1275  
SINGLE SWING SIDE PULLEY
- 1x PCA-0106  
TRANSPORT BAG
- 1x PCA-1260  
POLYESTER SLING
- 1x PCA-1282  
LOCKING GRAB HOOK
- 1x PCA-1276  
LOCKING CARABINER
- 2x PCA-1205M  
ROPE 10 MM X 50 M
- 1x PCA-1372  
HPPE ROPE CHOKER

**For hunters who want no odours or maintenance and who are still looking for power, here is the ecological kit PCW3000-Li-HK with a three-speed battery-powered winch.**

Since the winch does not use gasoline, odours are absent. In addition, the kit includes a bag that allows you to carry and store your winch, 10 mm x 50 m rope as well as accessories in a convenient all-in-one format. This way, you will make your journey in the forest easier, without leaving anything behind.

The single pulley will be useful to deviate the load or double the pulling force when needed. Combined with the 1,000-kg power offered by the winch PCW3000-Li, you will obtain 2,000 kg of power!

An interesting alternative to the two (2) kits with gas winches.



Note: Battery and charger not included. One (1) 60 mm x 2 m polyester anchor sling is included with the winch.









**MOST POPULAR  
CHOICE**

## PCW3000

Maximum Pulling Force: 700 kg  
Weight: 9,5 kg  
Speed: 10 m/min

## PCA-1205M

Material: Double braided polyester  
Minimum Breaking Strength: 2,200 kg

## PCA-1275

Minimum Breaking Strength :  
60 kN (6,125 kg)  
Diameter: 76 mm

## PCA-0102

Dimensions: 47 x 44 x 33 cm  
Weight: 4.8 kg  
Material: High-performance plastic

## PCA-1260

60 mm x 2 m  
Minimum Breaking Strength :  
14,000 kg

## PCA-1255

Material: Nylon  
Volume: 22 L

## PCA-1276

Material: Zinc-plated steel  
Minimum Breaking Strength:  
25 kN (2,550 kg)

## PCA-1261

Material: Zinc plated steel



## PCW3000-VK

- 1x PCW3000  
GAS-POWERED PULLING WINCH GX35
- 1x PCA-1275  
SINGLE SWING SIDE PULLEY
- 1x PCA-0102  
TRANSPORT CASE
- 1x PCA-1255  
ROPE BAG
- 1x PCA-1261  
ANCHOR PLATE FOR TOWING BALLS
- 2x PCA-1276  
LOCKING CARABINER
- 1x PCA-1260  
POLYESTER SLING
- 1x PCA-1205M  
ROPE 10 MM X 50 M

**Motor sports enthusiasts of all kinds, and of all seasons, the kit PCW3000-VK was designed for your inner adventurer and includes the essentials to leave with peace of mind.**

Whatever situations your vehicle finds itself in, you'll be able to take it out with this assortment. The 10 mm x 50 m rope will allow you to get your vehicle back regardless of terrain conditions. As for the single pulley, it will be useful to double the pulling force if needed. Combined with the 700-kg power offered by the winch PCW3000, you will get 1,400 kg of power! This kit also includes the anchor plate for towing ball to allow the use of your off-road vehicle as anchoring point.

The molded transport case and rope bag are also included to allow you to carry your winch, rope and accessories, protected from bad weather.



Note: One (1) 60 mm x 2 m polyester anchor sling is included with the winch.



## PCW5000

Maximum pulling force: 1,000 kg  
Weight : 16 kg  
Speed : 12 m/min

## PCA-1215M

Material: Double braided polyester  
Minimum Breaking Strength: 3,300 kg

## PCA-0100

Dimensions: 66 x 58 x 41 cm  
Weight: 8 kg  
Material: High-performance plastic

## PCA-1255

Material: Nylon  
Volume: 22 L

## PCA-1276

Material: Zinc-plated steel  
Minimum Breaking Strength:  
25 kN (2,550 kg)

## PCA-1260

60 mm x 2 m  
Minimum Breaking  
Strength : 14,000 kg

## PCA-1261

Material: Zinc plated steel

## PCA-1274

Minimum Breaking Strength:  
90 kN (9,185 kg)  
Diameter: 100 mm

## PCW5000-VK

- 1x PCW5000  
GAS-POWERED PULLING WINCH GXH50
- 1x PCA-0100  
TRANSPORT CASE
- 2x PCA-1276  
LOCKING CARABINER
- 1x PCA-1261  
ANCHOR PLATE FOR TOWING BALLS
- 1x PCA-1274  
SINGLE SWING SIDE PULLEY
- 1x PCA-1260  
POLYESTER SLING
- 1x PCA-1255  
ROPE BAG
- 1x PCA-1215M  
ROPE 12 MM X 50 M

**For motor sport enthusiasts looking for all the power the PCW5000 gas powered winch has to offer, the PCW5000-VK kit is for you and contains the essential accessories to leave with peace of mind.**

No matter the situation your vehicle finds gets itself in, you'll be able to get it out of trouble. The 12 mm x 50 m rope will allow it to be retrieved, regardless of terrain conditions. As for the single pulley, it will be useful to double the pulling force when the time comes. Combined with the 1,000-kg power offered by the winch PCW5000, you will obtain 2,000 kg of power!

The package also includes the anchor plate for towing balls to allow you to use your vehicle as an anchor point. The molded transport case and rope bag are included to carry your winch, rope and accessories safe from the elements.



*Note: One (1) 60 mm x 2 m polyester anchor sling is included with the winch.*



## PCW3000-Li

Maximum Pulling Force: 1,000 kg  
Weight: 9.5 kg  
Speed: 11.6 m/min

## PCA-1261

Material: Zinc plated steel

## PCA-1275

Minimum Breaking Strength : 60 kN (6,125 kg)  
Diameter: 76 mm

## PCA-1205M

Material: Double braided polyester  
Minimum Breaking Strength: 2,200 kg

## PCA-1260

60 mm x 2 m  
Minimum Breaking Strength : 14,000 kg

Battery and charger not included

## PCA-0106

3 compartments + 2 pockets  
Dimensions: 33 x 53 x 33 cm  
Material: Nylon Cordura

## PCA-1276

Material: Zinc-plated steel  
Minimum Breaking Strength: 25 kN (2,550 kg)

## PCW3000-Li-VK

- 1x PCW3000-Li  
BATTERY-POWERED PULLING WINCH 80/82 V
- 1x PCA-1275  
SINGLE SWING SIDE PULLEY
- 1x PCA-1260  
POLYESTER SLING
- 2x PCA-1276  
LOCKING CARABINER
- 1x PCA-0106  
TRANSPORT BAG
- 1x PCA-1205M  
ROPE 10 MM X 50 M
- 1x PCA-1261  
ANCHOR PLATE FOR TOWING BALLS

**For motor sport enthusiasts who prefer the three (3)-speed battery-powered winch, the PCW3000-Li-VK kit is the ideal kit and covers the essentials to leave with peace of mind.**

The PCW3000-Li features a remarkable pulling capacity of 1,000 kg. Moreover, it does not require any maintenance, which makes it a great alternative to gas-powered winches.

Whatever situation your off-road vehicle gets in, you will be able to get out of trouble. The 10 mm x 50 m rope will help in making it easy to retrieve. The single pulley will be useful to double the pulling force when needed. Combined with the 1,000-kg power offered by the winch, you will obtain 2,000 kg of power!

The kit also includes the winch anchor plate for towing balls which allows you to use your off-road vehicle as an anchor point. Also included is the transport bag to carry your winch, rope and accessories.



Note: Battery and charger not included. One (1) 60 mm x 2 m polyester anchor sling is included with the winch.







# PCW3000-Li-GK

# GARDEN-COTTAGE KIT



**MOST POPULAR  
CHOICE**

PCW3000-Li

Maximum Pulling Force: 1,000 kg  
Weight: 9.5 kg  
Speed: 11.6 m/min

PCA-1275

Minimum Breaking Strength : 60 kN (6,125 kg)  
Diameter: 76 mm

PCA-1205M

Material: Double braided polyester  
Minimum Breaking Strength:  
2,200 kg

PCA-0106

3 compartments + 2 pockets  
Dimensions: 33 x 53 x 33 cm  
Material: Nylon Cordura



Battery and charger not included

PCA-1276

Material: Zinc-plated steel  
Minimum Breaking Strength: 25 kN (2,550 kg)



PCA-1260

60 mm x 2 m  
Minimum Breaking Strength :  
14,000 kg



## PCW3000-Li-GK

- 1x PCW3000-Li  
BATTERY-POWERED PULLING WINCH 80/82 V
- 1x PCA-0106  
TRANSPORT BAG
- 2x PCA-1276  
LOCKING CARABINER
- 1x PCA-1260  
POLYESTER SLING
- 1x PCA-1205M  
ROPE 10 MM X 50 M
- 1x PCA-1275  
SINGLE SWING SIDE PULLEY

**Small jobs are never over around a home or a cottage! This winch is powered by a battery motor, which requires no maintenance and is always ready to be put at work.**

Whether it is for felling a tree, removing stumps, stretching fences or getting your boat or dock out, you'll be equipped to work!

In addition to the PCW3000-Li battery-powered winch that features an outstanding pulling capacity, this kit includes a 50-metre polyester rope, two carabiners, a polyester sling and a useful transport bag to easily store or carry your equipment between your work sites. The single pulley will be useful to double the pulling force when the time comes. Combined with the 1,000-kg power offered by the winch, you will obtain 2,000 kg of power!

A useful kit around your property!



Note: Battery and charger not included. One (1) 60 mm x 2 m polyester anchor sling is included with the winch.



## PCW5000

Maximum pulling force: 1,000 kg  
Weight : 16 kg  
Speed : 12 m/min

## PCA-1215M

Material: Double braided polyester  
Minimum Breaking Strength: 3,300 kg

## PCA-1274

Minimum Breaking Strength:  
90 kN (9,185 kg)  
Diameter: 100 mm

## PCA-1255

Material: Nylon  
Volume: 22 L

## PCA-0100

Dimensions: 66 x 58 x 41 cm  
Weight: 8 kg  
Material:  
High-performance plastic

## PCA-1260

60 mm x 2 m  
Minimum Breaking  
Strength : 14,000 kg

## PCA-1276

Material: Zinc-plated steel  
Minimum Breaking Strength: 20 kN (2,040 kg)

## PCW5000-GK

- 1x PCW5000  
GAS-POWERED PULLING WINCH GXH50
- 1x PCA-1274  
SINGLE SWING SIDE PULLEY
- 1x PCA-0100  
TRANSPORT CASE
- 2x PCA-1276  
LOCKING CARABINER
- 1x PCA-1260  
POLYESTER SLING
- 1x PCA-1255  
ROPE BAG
- 1x PCA-1215M  
ROPE 12 MM X 50 M

**Jobs around your property are common and may require all the power develop from the 50 cc engine. The PCW5000-GK kit holds an incredible value.**

No matter what task you assign it to, the gas-powered PCW5000 will fulfill it with its large 1,000-kg pulling capacity in a single pulling line. Whether it is for cutting down a tree, removing stumps, stretching fences, pulling a boat or dock out of the water, you will never wonder if it will do the job!

In addition to the winch, this kit contains a 50-metre polyester rope and its storage bag, two carabiners, a polyester sling and a robust case to easily store or carry your equipment between locations. The single pulley will be useful to double the pulling force when needed. Combined with the 1,000-kg power offered by the winch, you will obtain 2,000 kg of power!

A kit offering power and reliability!



Note: One (1) 60 mm x 2 m polyester anchor sling is included with the winch.



## PCW3000

Maximum Pulling Force: 700 kg  
Weight: 9,5 kg  
Speed: 10 m/min

## PCA-1275

Minimum Breaking Strength : 60 kN (6,125 kg)  
Diameter: 76 mm

## PCA-0106

3 compartments + 2 pockets  
Dimensions: 33 x 53 x 33 cm  
Material: Nylon Cordura

## PCA-1205M

Material: Double braided polyester  
Minimum Breaking Strength: 2,200 kg

## PCA-1276

Material: Zinc-plated steel  
Minimum Breaking Strength:  
25 kN (2,550 kg)

## PCA-1260

60 mm x 2 m  
Minimum Breaking Strength : 14,000 kg



## PCW3000-GK

- 1x PCW3000  
GAS-POWERED PULLING WINCH GX35
- 1x PCA-0106  
TRANSPORT BAG
- 2x PCA-1276  
LOCKING CARABINER
- 1x PCA-1260  
POLYESTER SLING
- 1x PCA-1205M  
ROPE 10 MM X 50 M
- 1x PCA-1275  
SINGLE SWING SIDE PULLEY

**Homeowners and cottage owners, the PCW3000-GK kit was elaborated to satisfy the dedicated worker inside that takes pride of a job well done.**

Appreciated for its compact size and its 700-kg pulling capacity, the all-position PCW3000 with gets the job done. Whether it is for cutting down a tree, removing stumps, stretching fences or getting your boat or dock out, you'll always be satisfied!

In addition to the winch, this kit includes a 50-metre polyester rope, two carabiners, a polyester sling, and a useful transport bag that easily stores and carries your equipment from one place to another. The single pulley will be useful to double the pulling force when the time comes. Combined with the 700-kg power offered by the winch, you will obtain 1,400 kg of power!



Note: One (1) 60 mm x 2 m polyester anchor sling is included with the winch.









## **LINE OF ACCESSORIES**

Regardless of how or where you use your winch, we have the necessary and adapted accessories. You can then get the most out of it, no matter the situation!

The accessories are organized into categories to ease your search.





For best performance, always use Portable Winch Co. ropes with your winch.

Double braided polyester rope (DBP): the double-braided construction makes it durable and features low stretch for increased safety. The low cost and resistance to abrasion make it a good choice for using with our capstan winches, where it is subject to friction and intense heat.

For pulling, the usual rope end is a bowline knot. It will always remain easy to undo in the case you want to change the hook at the end of the rope.



**Splices with galvanized steel thimbles are available on some ropes.**

They provide protection against wear caused by carabiners, shackles and hooks installed at the end of the rope. In addition, a splice keeps nearly 100% of the rope's capacity, unlike a knot, which reduces its capacity by at least 30%.

Splices at both ends of the rope also allow it to be flipped over from time to time so it wears out evenly on its entire length. Highly recommended for all lifting operations.



POLYESTER DOUBLE BRAIDED ROPES - 10 MM - MINIMUM BREAKING STRENGTH 2,200 KG		WEIGHT	COMPATIBILITY
PCA-1205M	10 MM X 50 M	3,5 KG	
PCA-1203M	10 MM X 100 M	7 KG	
PCA-1206M	10 MM X 200 M	14 KG	PCW3000 PCW3000-Li PCW5000-HS
PCA-1203M2ESC	10 MM X 100 M WITH TWO EYE SPLICES AND THIMBLES	7 KG	
POLYESTER DOUBLE BRAIDED ROPES - 12 MM - MINIMUM BREAKING STRENGTH 3,300 KG			
PCA-1215M	12 MM X 50 M	5,5 KG	
PCA-1213M	12 MM X 100 M	11 KG	
PCA-1214M	12 MM X 150 M	16,5 KG	PCW5000 PCW5000-HS
PCA-1216M	12 MM X 200 M	22 KG	
PCA-1218M	12 MM X 300 M	33 KG	
PCA-1213M2ESC	12 MM X 100 M WITH TWO EYE SPLICES AND THIMBLES	11 KG	
PCA-1216M2ESC	12 MM X 200 M WITH TWO EYE SPLICES AND THIMBLES	22 KG	PCH1000 PCH2000 PCT1800
PCA-1218M2ESC	12 MM X 300 M WITH TWO EYE SPLICES AND THIMBLES	33 KG	



These rope bags are handy for storing and carrying your rope and small accessories. These bags prevent the rope from tangling up since you push it inside instead of wrapping it around your arm or a spool. Model PCA-0103 is especially designed to be attached to the Molded Pack Frame (PCA-0104). The other models of bags are designed to be carried by hand or directly on the back.

### A COOL TIP:

Attach a carabiner to your belt loop and pass the rope through it to quickly push it to the bottom of your bag!



ROPE BAGS		WEIGHT AND DIMENSIONS	
<b>A</b>	<b>PCA-0103</b>	ROPE BAG – FOR PCA-0104 PACK FRAME <i>Resistant vinyl</i> CAPACITY: 10 MM = 50 M 12 MM = N/A	400 G Ø 30 CM Height : 36 CM Volume : 12 L
<b>B</b>	<b>PCA-1255</b>	ROPE BAG – SMALL <i>Durable nylon</i> CAPACITY: 10 MM = 100 M 12 MM = 50 M	500 G Ø 28 CM Height : 36 CM Volume : 22 L
<b>C</b>	<b>PCA-1256</b>	ROPE BAG – MEDIUM (WITH SHOULDER STRAPS) <i>Durable nylon</i> CAPACITY: 10 MM = 200 M 12 MM = 100 M	900 G Ø 30 CM Height : 64 CM Volume : 45 L
<b>D</b>	<b>PCA-1257XL</b>	ROPE BAG – EXTRA LARGE <i>Durable nylon with rigid bottom</i> CAPACITY: 10 MM = 400 M 12 MM = 200 M	1,10 KG Ø 37 CM Height : 60 CM Volume : 65 L





**PCA-0100**  
**TRANSPORT CASE WITH MOLDED LOCATIONS FOR  
5000 SERIES WINCHES**

This transport case with molded locations is specially designed for winches PCW5000 and PCW5000-HS.

Made of high-performance plastic, its molded shapes secure the winch and several accessories. It has four (4) elastic rubber fasteners that firmly hold the cover. The cover opens by releasing two fasteners; the other two serve as hinges. The cover can also be removed completely and even used under the winch when working in snow or mud. Two handles molded into the box make it easier to move.

In addition to protecting your winch from shocks and bad weather, the box PCA-0100 allows you to keep all your valuable accessories such as pulleys, hooks, carabiners, anchorings and slings in one place.

**Material:** High performance polymer plastic

**Weight:** 6,65 kg

**Dimensions:** 64 cm x 55 cm x 38 cm



**PCA-0102**  
**TRANSPORT CASE WITH MOLDED LOCATION  
FOR PCW3000**

This transport case with molded location is especially designed to accommodate the winch PCW3000. Carry and store your winch safely in this durable and robust box made of high-performance plastic!

Being equipped with a strap on each side, you can easily attach it to your ATV (QUAD), side by side, snowmobile, rowboat or other vehicle. It is also meant to be attached to the PCA-0104 Molded Pack Frame in order to easily carry your winch when you are out and about.

**Material:** High performance polymer plastic

**Weight:** 3,9 kg

**Dimensions:** 47 cm x 33 cm x 31 cm



**PCA-0106**  
**TRANSPORT BAG WITH COMPARTMENTS  
FOR 3000 SERIES WINCHES**

Built with padded walls to protect your equipment, the PCA-0106 wonderfully fits your PCW3000-Li – or PCW3000 – as well as your accessories.

One of the two (2) side compartments can fit a 10 mm x 50 m rope while the other one can hold two batteries and a charger, or other accessories of your choice. The front pockets are perfectly sized to slip pulleys and carabiners in, whereas the main compartment comfortably lodges your 3000 series winch and slings.

Therefore, a complete kit can easily be carried thanks to its robust handles and its shoulder strap. The bag can also be found appropriate for many other uses.

**Material:** Cordura Nylon, rigid bottom, cushioned main compartment

**Weight:** 1,35 kg

**Dimensions:** 57 cm x 33 cm x 32 cm





**PCA-0104**

**MOLDED PACK FRAME FOR TRANSPORT CASE PCA-0102**

Designed to fit the transport case PCA-0102 in combination with the vinyl rope bag PCA-0103. Made of sturdy polymer, this ergonomic molded pack frame features padded shoulder straps and belt, all of which provide ultimate comfort. When used with the case PCA-0102 and bag PCA-0103, you can carry the PCW3000 capstan winch , along with a 10 mm x 50 m rope and a few small accessories.

**Material:** High performance polymer plastic

**Weight:** 1,4 kg

**Dimensions:** 52 cm x 46 cm x 10 cm



**PCA-0102**



**PCA-0103**



**3000 SERIES WINCH EQUIPMENT**

**WEIGHT AND DIMENSIONS**

**COMPATIBILITY**

<b>PCA-0102</b>	TRANSPORT CASE WITH MOLDED LOCATIONS FOR PCW3000	3,9 KG Length : 47 CM Width : 33 CM Height : 31 CM	PCW3000

<b>PCA-0104</b>	MOLDED PACK FRAME FOR CARRYING THE PCW3000	1,4 KG Length : 52 CM Width : 46 CM Height : 10 CM	PCW3000
-----------------	--	---	---------

<b>PCA-0106</b>	TRANSPORT BAG WITH COMPARTMENTS FOR 3000 SERIES WINCHES	1,35 KG Length : 57 CM Width : 33 CM Height : 32 CM	PCW3000, PCW3000-Li
-----------------	---	--	---------------------

**5000 SERIES WINCH CASE**

<b>PCA-0100</b>	TRANSPORT CASE WITH MOLDED LOCATIONS FOR 5000 SERIES WINCHES	6,65 KG Length : 64 CM Width : 55 CM Height : 38 CM	PCW5000, PCW5000-HS
-----------------	--	--	---------------------



Pelican brand cases are reknown worldwide for their robustness and waterproofness. They are also shock-proof and dustproof. A valve balances the air pressure inside cases and prevents water from entering. Their cover is equipped with latches and an O-ring. Two large folding handles allow them to be handled by one or two people. They are supplied with Pick N Pluck™ foam blocks that you can customize according to your needs.

All Pelican cases have a lifetime **guarantee of excellence!**  
Protection Class: IP67



WATERPROOF WINCH CASES		WEIGHT AND DIMENSIONS	COMPATIBILITY
<b>(A)</b>	<b>PCA-0340</b> WATERPROOF WINCH TRANSPORT CASE WITH REMOVABLE CASTERS <i>High performance polymer plastic.</i>	14,8 KG Length : 58 CM Width : 58 CM Height : 56 CM	PCW5000, PCW5000-HS, PCH1000
<b>(B)</b>	<b>PCA-0350</b> WATERPROOF WINCH TRANSPORT CASE <i>High performance polymer plastic.</i>	11,3 KG Length : 59 CM Width : 56 CM Height : 54 CM	PCW5000, PCW5000-HS, PCH1000, PCT1800
<b>(C)</b>	<b>PCA-1630</b> WHEELED WATERPROOF WINCH TRANSPORT CASE <i>High performance polymer plastic.</i>	15,7 KG Length : 79 CM Width : 63 CM Height : 44 CM	PCW5000, PCW5000-HS, PCH1000, PCH2000, PCT1800



Here are some excellent, robust and durable pulleys

The steel pulleys are manufactured with stainless steel side plates and aluminium sheaves (wheels with gouges). The swing side plates eliminates the need to thread the rope and therefore, allow it to be installed very quickly. In addition, they prevent the rope from getting out once they are closed.

The pulley shaft is made of stainless steel and an oil impregnated bronze bearing ensures a flawless operation and an efficiency of 98%, all without maintenance.

Their Minimum Breaking Strengths range from 60 kN to 135 kN. Use a carabiner to attach these pulleys to a polyester sling.



STAINLESS STEEL PULLEYS		WEIGHT AND DIMENSIONS	COMPATIBILITY
<b>A</b>	<b>PCA-1273</b> STAINLESS STEEL DOUBLE SWING SIDE SNATCH BLOCK WITH ALUMINIUM SHEAVES <i>Minimum Breaking Strength : 135 kN (13,775 KG)</i>	1,85 KG Ø 100 MM Length : 230 MM Width : 105 MM Height : 80 MM	10 TO 13 MM ROPE
<b>B</b>	<b>PCA-1274</b> STAINLESS STEEL SINGLE SWING SIDE SNATCH BLOCK WITH ALUMINIUM SHEAVE <i>Minimum Breaking Strength : 90 kN (9,185 KG)</i>	1,1 KG Ø 100 MM Length : 196 MM Width : 105 MM Height : 53 MM	10 TO 13 MM ROPE
<b>C</b>	<b>PCA-1275</b> STAINLESS STEEL SINGLE SWING SIDE SNATCH BLOCK WITH ALUMINIUM SHEAVE <i>Minimum Breaking Strength : 60 kN (6,125 KG)</i>	600 G Ø 76 MM Length : 150 MM Width : 80 MM Height : 30 MM	10 MM ROPE
<b>D</b>	<b>PCA-1283</b> STAINLESS STEEL DOUBLE SWING SIDE SNATCH BLOCK WITH ALUMINIUM SHEAVES <i>Minimum Breaking Strength : 90 kN (9,185 KG)</i>	1 KG Ø 76 MM Length : 183 MM Width : 80 MM Height : 49 MM	10 MM ROPE



The ISC brand specialized pulleys are made of aluminium and are therefore lighter. They have a diameter of 62 mm or 63 mm and a Minimum Breaking Strength of 40 kN or 50 kN.

The two models of self-locking pulleys (A, B) are available for users seeking to hold a load in position. These are also popular in lifting. They are also very useful in forestry, hunting or for industrial applications.

They feature a cam brake system that allows the rope to pass freely in one direction and is blocked in the other. The cam is held by a spring and can be disengaged by pulling a cord.

The aluminium pulleys are mounted on a stainless steel shaft and a self-lubricating bearing. The swing side plates are also made of anodized aluminium. Self-locking pulleys can also be used as standard pulleys; simply block the cam in the open position using the pin provided.



SPECIALIZED PULLEYS		WEIGHT AND DIMENSIONS	COMPATIBILITY
<b>A</b>	<b>PCA-1271</b> ALUMINIUM SINGLE SWING SIDE SELF-LOCKING PULLEY 62 MM <i>Minimum Breaking Strength : 40 kN (4,079 KG)</i>	700 G Ø 62 MM Length : 230 MM Width : 105 MM Height : 80 MM	10 TO 13 MM ROPE
<b>B</b>	<b>PCA-1272</b> ALUMINIUM DOUBLE SWING SIDE SELF-LOCKING PULLEY 62 MM <i>Minimum Breaking Strength : 40 kN (4,079 KG)</i>	900 G Ø 62 MM Length : 220 MM Width : 85 MM Height : 65 MM	10 TO 13 MM ROPE
<b>C</b>	<b>PCA-1292</b> ALUMINIUM SINGLE SWING SIDE PULLEY 63 MM <i>Minimum Breaking Strength : 50 kN (6,000 KG)</i>	300 G Ø 63 MM Length : 130 MM Width : 90 MM Height : 40 MM	10 TO 13 MM ROPE



Three (3) multi-purpose carabiners made of zinc-plated steel and high-quality anodized aluminium with screw gate lock. Useful for attaching:

- A pulley to a tree or to a load;
- A polyester sling to a vehicle or two slings together;
- A hook to a rope;
- Or any other applications according to your needs.



## CARABINERS

## WEIGHT AND DIMENSIONS

**A**

PCA-1276

STEEL LOCKING CARABINER

*Minimum Breaking Strength : 25 kN (2,550 KG)*

200 G  
 Ø 10 MM  
 Length : 58 MM  
 Width : 107 MM  
 Opening : 17 MM

**B**

PCA-1702

STEEL LOCKING CARABINER

*Minimum Breaking Strength : 50 kN (5,100 KG)*

250 G  
 Ø 12 MM  
 Length : 115 MM  
 Width : 69 MM  
 Opening : 20,5 MM

**C**

PCA-1701

STEEL LOCKING CARABINER

*Minimum Breaking Strength : 70 kN (7,140 KG)*

300 G  
 Ø 12,5 MM  
 Length : 125 MM  
 Width : 73 MM  
 Opening : 29 MM



Various hooks for various uses.

**The PCA-1281** is an all-purpose hook with a safety latch that prevents the anchored object or the load from sliding out of the hook. This is the hook installed on all our winches.

**The PCA-1282** is designed to be used with our choker chain (PCA-1295) or our rope choker (PCA-1372). Its latch prevents the slings from slipping out of the hook when there is no tension on the rope. The 10-mm opening will accept chains from 6 mm to 8 mm. It features three 8-mm chain links to easily link it to a rope of up to 13-mm diameter or to a carabiner. Attach it to the end of the rope using the bowline knot, which can easily be undone after use and which will keep up to 70% of the rope's capacity.

With the **PCA-1299**, you can easily transform an existing chain into a high-performance choker chain. An easy and safe process. Suitable for chains from 6 mm to 8 mm.



**A**



**B**



**C**

## HOOKS

## WEIGHT AND DIMENSIONS



**PCA-1281**

SAFETY HOOK WITH LATCH  
*Minimum Breaking Strength : 29.5 kN (3,000 KG)*

200 G  
Length : 110 MM  
Width : 64 MM  
Height : 18 MM



**PCA-1282**

GRAB HOOK WITH LATCH AND 3 CHAIN LINKS  
*Minimum Breaking Strength : 56 kN (5,700 KG)*

550 G  
Ø 8 MM (chain link)  
Length : 180 MM  
Width : 72 MM  
Height : 30 MM



**PCA-1299**

C-HOOK  
*Minimum Breaking Strength : 56 kN (5,700 KG)*

450 G  
Length : 100 MM  
Width : 80 MM  
Height : 25 MM



As our winches are portable, they can be anchored anywhere!

As you will notice in this section, Portable Winch Co. has developed different modular anchoring devices that allow a wide variety of fixed objects to be used as anchor points. Whether it is a cylindrical object (tree, pole, etc.), a vehicle, a pylon, and even a floor, all can be used as an anchor point for your winch, using the right equipment especially designed for this purpose.

The chart of anchorages for winches (see next page) shows you which accessories or combinations of accessories are suitable based on different anchor points.



## ON CYLINDRICAL OBJECT

The easiest way is to use the 2-metre sling provided with the winch.

Attach the sling to one of the winch's hooks, wrap the sling around your anchor point and insert its other end into the second hook.

There are 3-metre slings for larger trees or poles. Other anchoring systems will give you more stability and a more comfortable work position.

The PCA-1269 is designed to be as light as possible, while the PCA-1263 offers several possibilities in combination with the PCA-1268, PCA-1332 and PCA-1264.

Furthermore, the PCA-1263 will not damage the tree or pole on which it is anchored thanks to its rubber pads.



## ON A VEHICLE

We offer anchoring systems that are suitable for North American and European tow hitch, and tow balls.

The anchor plate PCA-1261 is excellent for light works, but its use is not recommended for industrial applications.

For an intensive use, it is preferable to use square tubes (PCA-1267 or PCA-1501) in North America, or the Heck-Pack system (PCA-1266) in Europe, in combination with other accessories.



## ON A PYLON

The pylon-mount winch anchorage (PCA-1806) is designed to be firmly secured on the 90° "V" shaped steel angles that are commonly used in the construction of pylons and telecommunication towers.

It will then be combined with other accessories depending on the application.



## ON THE GROUND

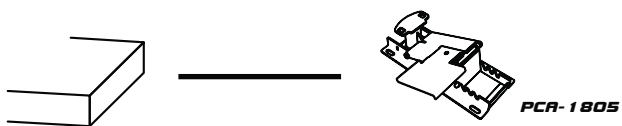
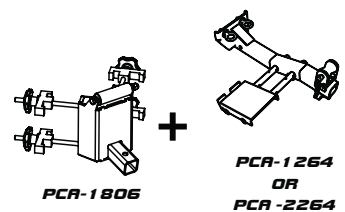
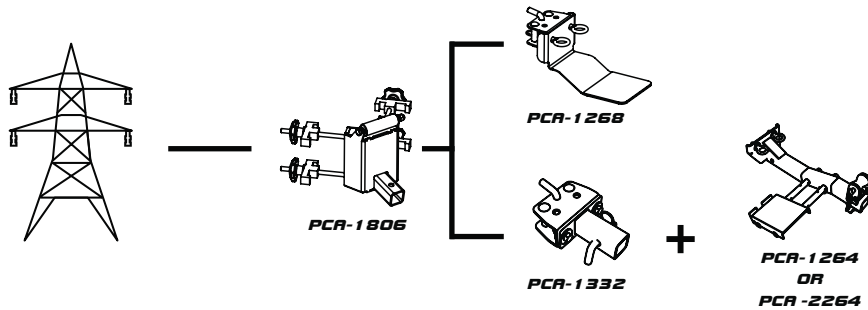
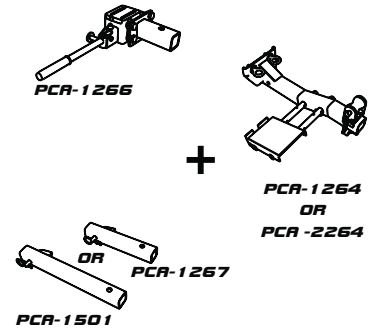
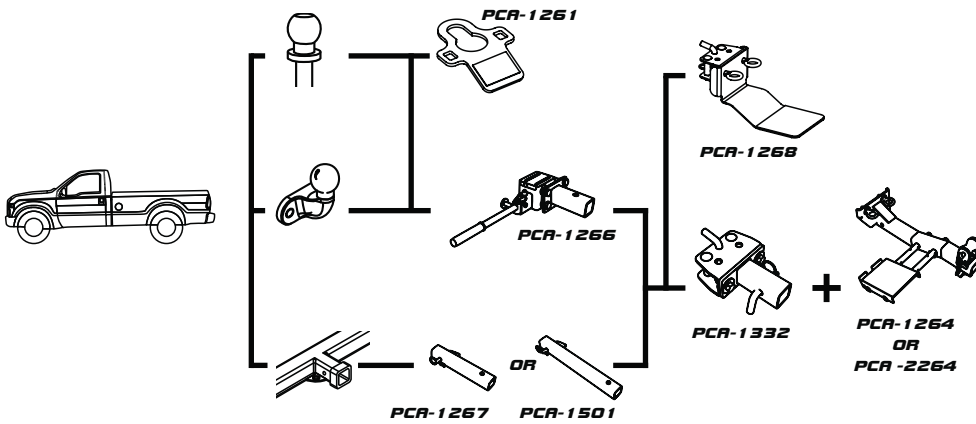
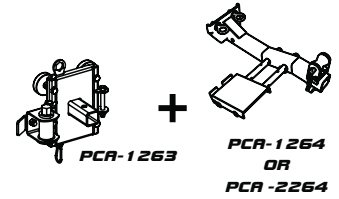
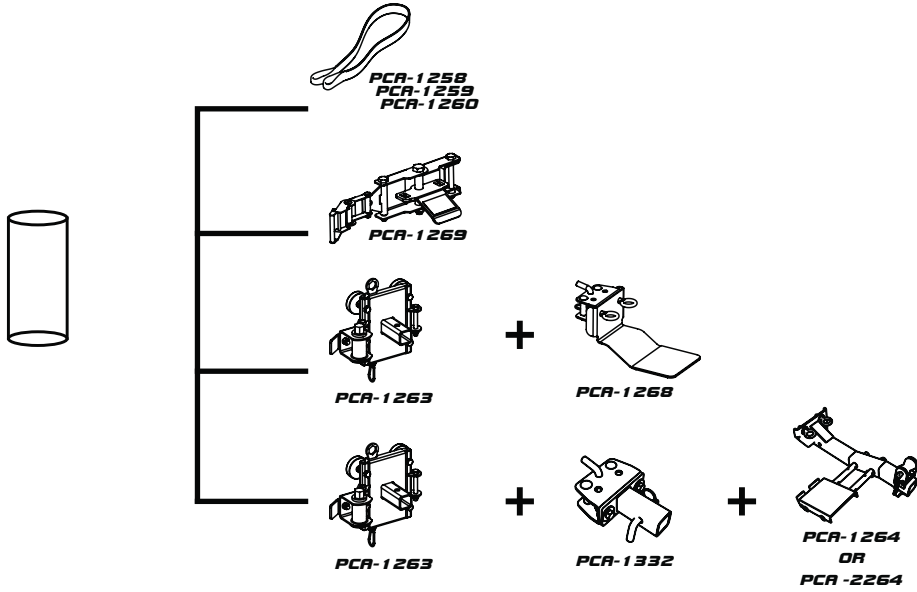
The floor-mount anchoring (PCA-1805) is perfect for pulling electrical wiring through pipes and/or to an electrical panel where other anchor points are not available. Simply anchor it to the ground so that it is well aligned with the load.



## ANCHORING POINT

## HORIZONTAL PULL

## VERTICAL PULL







**PCA-1260 / PCA-1259 / PCA-1258**  
**POLYESTER SLING**

Our polyester slings can be used for many things:

- To attach our winches to an anchor point; in this case, it will be used in basket type configuration (U);
- To attach a pulley to a tree or pole, then, it will be used in choker configuration;
- To pull a vehicle with another vehicle. Here, you will use it in a straight line.
- And even more!

**Fig. 1 - page 70**

POLYESTER SLINGS	DIMENSIONS	WEIGHT	WORKING LOAD LIMIT	COMPATIBILITY
PCA-1260	60 mm x 2 m	800 G		
PCA-1259	60 mm x 2,5 m	900 G	IN A STRAIGHT LINE : 2,000 KG IN CHOKER : 1,600 KG IN BASKET (U) : 4,000 KG (MBS: 14,000 kg in a straight line)	PCW3000, PCW3000-Li, PCW5000, PCW5000-HS, PCH1000, PCH2000, PCT1800
PCA-1258	60 mm x 3 m	1,10 KG		



**PCA-1261**  
**ANCHOR PLATE FOR TOWING BALLS**

This plate fits on tow balls up to 58.7 mm (2-5/16") in diameter and turns any vehicle into an anchor point for your winch.

Attach the winch's hooks to the plate and simply insert it onto the tow ball.

FOR WINCHES: PCW3000, PCW3000-Li, PCW5000, PCW5000-HS

**Material:** Zinc plated steel

**Weight:** 700 g

**Dimensions:** 20 cm x 15 cm x 4 cm

**Fig. 8 - page 71**



**PCA-1269**  
**TREE-MOUNT WINCH ANCHORING SYSTEM**

It is easy to install by firmly tightening the belt using the ratchet mechanism. The winch can then be positioned at a comfortable height for work, by inserting its hooks into the square openings of the swivel plate. It will align with the load automatically!

FOR WINCHES: PCW3000, PCW3000-Li, PCW5000, PCW5000-HS

**Material:** Zinc plated steel

**Weight:** 3,65 kg

**Dimensions:** 49 cm x 17 cm x 14 cm

**Strap :** 50 mm x 3 m long

**Fig. 2 - page 70**





**PCA-1263**

**TREE-MOUNT WINCH ANCHORING SYSTEM**

This anchoring system makes it possible to securely mount the winch to a tree or pole, allowing you to work at a more comfortable height and thus facilitate prolonged use from a fixed point. It is the basis of different combinations of accessories. It has four rubber pads that prevent it from slipping on the pole and protect the bark of trees. Included is a 3-metre sling and a ratchet system with key to securely anchor it.

It can not be used alone; it must be combined with other accessories.

Thus, it is intended to be combined with the following accessories for horizontal pulling. In such case, the winch will face the load and the rope will be in a direct line towards the winch.

<b>Fig. 3</b>	PCA-1263 + PCA-1268	Page 70
<b>Fig. 4</b>	PCA-1263 + PCA-1332 + PCA-1264	Page 70
<b>Fig. 5</b>	PCA-1263 + PCA-1332 + PCA-2264	Page 70

If combined with the following accessories, it will be used for vertical pulling. In these cases, the winch will face the anchor point and the rope will come from the top to the winch.

<b>Fig. 6</b>	PCA-1263 + PCA-1264	Page 70
<b>Fig. 7</b>	PCA-1263 + PCA-2264	Page 71

FOR WINCHES: PCW3000, PCW3000-Li, PCW5000, PCW5000-HS, PCH1000, PCH2000, PCT1800

**Material:** Steel with high resistance paint

**Weight:** 7,2 kg

**Dimensions:** 37 cm x 26 cm x 22 cm



**PCA-1266**

**HECK-PACK ANCHORING SYSTEM WITH ADAPTOR FOR 50-MM TOWING BALLS**

Especially designed for European vehicles, this anchoring system firmly tightens to 50-mm towing balls and provides a strong and quick anchor point for winches, thanks to its bolted adaptor (supplied).

It can not be used alone; it must be combined with other accessories.

Thus, it is intended to be combined with the following accessories for horizontal pulling. In these cases, the winch will face the load and the rope will be in a direct line towards the winch.

<b>Fig. 14</b>	PCA-1266 + PCA-1268	Page 72
<b>Fig. 15</b>	PCA-1266 + PCA-1332 + PCA-1264	Page 72
<b>Fig. 16</b>	PCA-1266 + PCA-1332 + PCA-2264	Page 72

If combined with the following accessories, it will be used for vertical pulling. In such case, the winch will face the anchor point and the rope will come from the top to the winch.

<b>Fig. 17</b>	PCA-1266 + PCA-1264	Page 72
<b>Fig. 18</b>	PCA-1266 + PCA-2264	Page 72

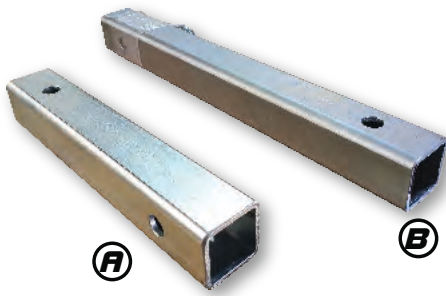
FOR WINCHES: PCW3000, PCW3000-Li, PCW5000, PCW5000-HS, PCH1000, PCH2000, PCT1800

**Material:** Zinc plated steel

**Weight:** 4,35 kg

**Dimensions:** 44 cm x 24 cm x 8 cm





## PCA-1267 / PCA-1501

### SQUARE TUBE FOR TRAILER HITCH

Specially designed for North American vehicles, the 50.8 mm (2 ") square tube fits snugly on all Category III towing attachments. It allows to firmly install the winch to a vehicle. It also includes a 12 mm (1/2 ") bent pin and an 'R' tie. It is the basis of different combinations of accessories. It can not be used alone; it must be combined with different accessories to use it.

Thus, it will be combined with the following accessories to allow horizontal pulling. In these cases, the winch will face the load and the rope will be in a direct line towards the winch.

<b>Fig. 9</b>	PCA-1267/PCA-1501 + PCA-1268	Page 71
<b>Fig. 10</b>	PCA-1267/PCA-1501 + PCA-1332 + PCA-1264	Page 71
<b>Fig. 11</b>	PCA-1267/PCA-1501 + PCA-1332 + PCA-2264	Page 71

If combined with the following accessories, it will be used for vertical pulling. In these cases, the winch will face the anchor point and the rope will come from the top to the winch.

<b>Fig. 12</b>	PCA-1267/PCA-1501+ PCA-1264	Page 71
<b>Fig. 13</b>	PCA-1267/PCA-1501+ PCA-2264	Page 72

FOR WINCHES: PCW3000, PCW3000-Li, PCW5000, PCW5000-HS, PCH1000, PCH2000, PCT1800

### SQUARE TUBE WITH BENT HITCH PIN



PCA-1267

SQUARE TUBE WITH BENT HITCH PIN  
30,5 CM DE LONG

### WEIGHT AND DIMENSIONS

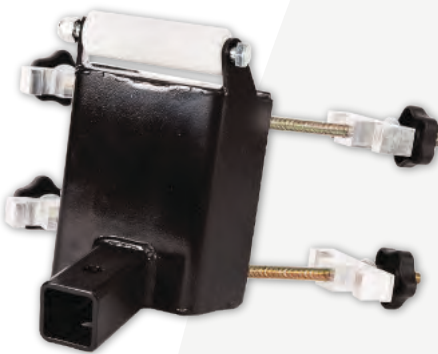
Length : 305 MM  
Width : 50,8 MM  
2.1 KG



PCA-1501

SQUARE TUBE WITH BENT HITCH PIN  
45,7 CM DE LONG

Length : 457 MM  
Width : 50,8 MM  
3 KG



## PCA-1806

### PYLON MOUNT WINCH ANCHOR

The pylon mount anchor system is designed to fit different winch models directly to the main frame of a 90° V-shaped pylon. It is the basis of different combinations of accessories. It is easily installed by one person thanks to the integrated magnets at the back of the support that keep it in place during the installation. Four reversible aluminum anchor hooks, with slots of three (3) different widths, hold onto most 10 cm to 30 cm steel angles - single or double thickness. These hooks are tight in place by hand. Thanks to the four-star handles, no tools are needed for installation.

It can not be used alone; it must be combined with different accessories to use it.

Thus, it will be combined with the following accessories to allow horizontal pulling. In these cases, the winch will face the load and the rope will be in a direct line towards the winch.

<b>Fig. 19</b>	PCA-1806 + PCA-1268	Page 73
<b>Fig. 20</b>	PCA-1806 + PCA-1332 + PCA-1264	Page 73
<b>Fig. 21</b>	PCA-1806 + PCA-1332 + PCA-2264	Page 73

If combined with the following accessories, it will be used for vertical pulling. In these cases, the winch will face the anchor point and the rope will come from the top to the winch.

<b>Fig. 22</b>	PCA-1806 + PCA-1264	Page 73
<b>Fig. 23</b>	PCA-1806 + PCA-2264	Page 73

FOR WINCHES: PCW3000, PCW3000-Li, PCW5000, PCW5000-HS, PCH1000, PCH2000, PCT1800

**Material:** Steel with high resistance paint

**Weight:** 7,3 kg

**Dimensions:** 46 cm x 34 cm x 26 cm





**PCA-1805**  
**FLOOR-MOUNT WINCH ANCHORING SYSTEM**

The floor-mount anchoring system (PCA-1805) is perfect for pulling electrical wiring through pipes and/or to an electrical panel where other anchor points are not available. You can adjust the pull angle according to the distance and height of the pipes or electrical panel (4 different angles). To use it, you must anchor it to the floor (anchoring hardware not included) so that the support is properly aligned with the load to be pulled.

FOR WINCHES: PCW3000, PCW3000-Li, PCW5000, PCW5000-HS, PCH1000, PCT1800

**Material:** Zinc plated steel  
**Weight:** 9 kg  
**Dimensions:** 51 cm x 35 cm x 18 cm

**Fig. 24 - page 73**



**PCA-1268**  
**WINCH SUPPORT PLATE**

This winch support plate is ideal for anchoring a winch to a tree, pole, vehicle or pylon when paired with one of our anchoring systems. It keeps the winch stable and facilitates prolonged use from a fixed point. It swivels 45 degrees on each side and provides a solid support that automatically aligns with the load. A rubber padding absorbs vibrations. It can not be used alone; it must be used in combination with other accessories.

Thus, it will be combined with the following accessories to allow horizontal pulling.

In such case, the winch will face the load and the rope will be in a direct line towards the winch.

<b>Fig. 3</b>	PCA-1263 + PCA-1268	Page 70
<b>Fig. 9</b>	PCA-1267 / PCA-1501 + PCA-1268	Page 71
<b>Fig. 14</b>	PCA-1266 + PCA-1268	Page 72
<b>Fig. 19</b>	PCA-1806 + PCA-1268	Page 73

FOR WINCHES: PCW3000, PCW3000-Li, PCW5000, PCW5000-HS, PCH1000

**Material:** Zinc plated steel  
**Weight:** 4,15 kg  
**Dimensions:** 44 cm x 27 cm x 14 cm



**PCA-1332**  
**PIVOTING ANCHOR FOR VERTICAL PULLING WINCH SUPPORTS**

In certain situations, the winch supports for vertical pulling PCA-1264 and PCA-2264 can also be used for horizontal pull. This pivoting anchorage then acts like the link between the vertical pull support and the anchoring systems listed here below. It ensures that the winch is always aligned with the load.

It can not be used alone; it must be combined with other accessories in order to be used.

Thus, it will be combined with the following accessories to allow horizontal pulling. In such case, the winch will face the load and the rope will be in a direct line towards the winch.

<b>Fig. 4/5</b>	PCA-1263 + PCA-1332 + PCA-1264/PCA-2264	Page 70
<b>Fig. 10/11</b>	PCA-1267 / PCA-1501 + PCA-1332 + PCA-1264/PCA-2264	Page 71
<b>Fig. 15/16</b>	PCA-1266 + PCA-1332 + PCA-1264/PCA-2264	Page 72
<b>Fig. 20/21</b>	PCA-1806 + PCA-1332 + PCA-1264/PCA-2264	Page 73

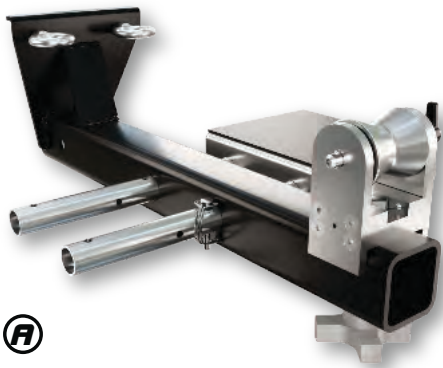
FOR WINCHES: PCW3000, PCW3000-Li, PCW5000, PCW5000-HS, PCH1000, PCH2000, PCT1800

**Material:** Zinc plated steel  
**Weight:** 2,95 kg  
**Dimensions:** 21 cm x 15 cm x 90 cm



## PCA-1264 / PCA-2264

### WINCH SUPPORT FOR VERTICAL PULLING



Ⓐ

These winch supports are specifically designed for vertical pulling.

Equipped with an adjustable shelf, they offer a solid and stable support allowing to properly sit the winch.

They also feature a removable V-shaped pulley mounted on ball bearings, providing optimal rotation. This pulley redirects the rope vertically with an angle in order to reach sections of towers or pylons away from the center. To install the rope, simply remove the "T" handle and the pulley, thread the rope and put the handle and pulley back in position.

Note that these supports can also be used for horizontal pulling; **in this case, the pulley will not be used.**

In all cases, they can not be used alone; they must be combined with other accessories in order to be used.

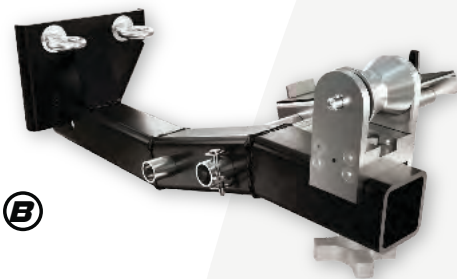
Thus, the **PCA-1264** will be combined with the following accessories to perform horizontal pulling. In these cases, the winch will face the load and the rope will be in a direct line towards the winch.

Ⓐ	<b>Fig. 4</b>	PCA-1263 + PCA-1332 + PCA-1264	Page 70
	<b>Fig. 10</b>	PCA-1267 / PCA-1501 + PCA-1332 + PCA-1264	Page 71
	<b>Fig. 15</b>	PCA-1266 + PCA-1332 + PCA-1264	Page 72
	<b>Fig. 20</b>	PCA-1806 + PCA-1332 + PCA-1264	Page 73

If combined with the following accessories, it will be used for vertical pulling. In these cases, the winch will face the anchor point and the rope will come from the top to the winch.

Ⓐ	<b>Fig. 6</b>	PCA-1263 + PCA-1264	Page 70
	<b>Fig. 12</b>	PCA-1267 / PCA-1501 + PCA-1264	Page 71
	<b>Fig. 17</b>	PCA-1266 + PCA-1264	Page 72
	<b>Fig. 22</b>	PCA-1806 + PCA-1264	Page 73

### WINCH SUPPORT FOR VERTICAL PULLING (PCH2000)



Ⓑ

Thus, the **PCA-2264** will be combined with the following accessories to allow horizontal pulling. In these cases, the winch will face the load and the rope will be in a direct line towards the winch.

Ⓑ	<b>Fig. 5</b>	PCA-1263 + PCA-1332 + PCA-2264	Page 70
	<b>Fig. 11</b>	PCA-1267 / PCA-1501 + PCA-1332 + PCA-2264	Page 71
	<b>Fig. 16</b>	PCA-1266 + PCA-1332 + PCA-2264	Page 72
	<b>Fig. 21</b>	PCA-1806 + PCA-1332 + PCA-2264	Page 73

If combined with the following accessories, it will be used for vertical pulling. In these cases, the winch will face the anchor point and the rope will come from the top to the winch.

Ⓑ	<b>Fig. 7</b>	PCA-1263 + PCA-2264	Page 71
	<b>Fig. 13</b>	PCA-1267 / PCA-1501 + PCA-2264	Page 72
	<b>Fig. 18</b>	PCA-1266 + PCA-2264	Page 72
	<b>Fig. 23</b>	PCA-1806 + PCA-2264	Page 73

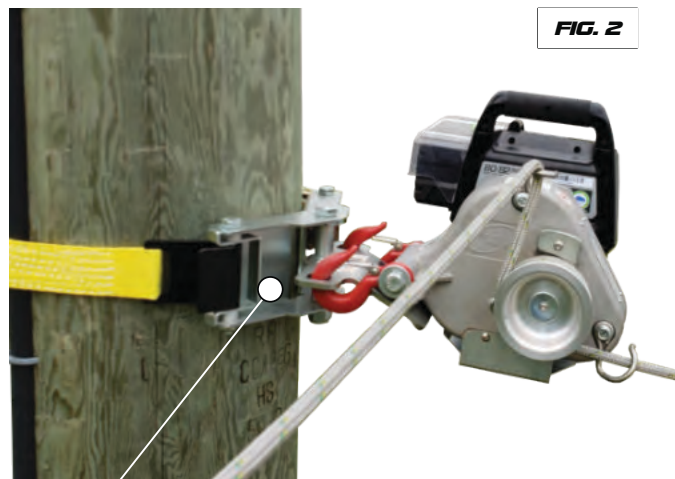
WINCH SUPPORT FOR VERTICAL PULLING		WEIGHT AND DIMENSIONS	COMPATIBILITY
Ⓐ	<b>PCA-1264</b> WINCH SUPPORT FOR VERTICAL PULLING <i>Steel with high-resistance paint</i>	Length : 550 MM Width : 410 MM Height : 410 MM Weight : 10,6 KG	PCW3000, PCW3000-Li, PCW5000, PCW5000-HS, PCH1000, PCT1800
Ⓑ	<b>PCA-2264</b> WINCH SUPPORT FOR VERTICAL PULLING (PCH2000) <i>Steel with high-resistance paint</i>	Length : 590 MM Width : 410 MM Height : 170 MM Weight : 11,5 KG	PCH2000





**FIG. 1**

**PCA-1260**



**FIG. 2**

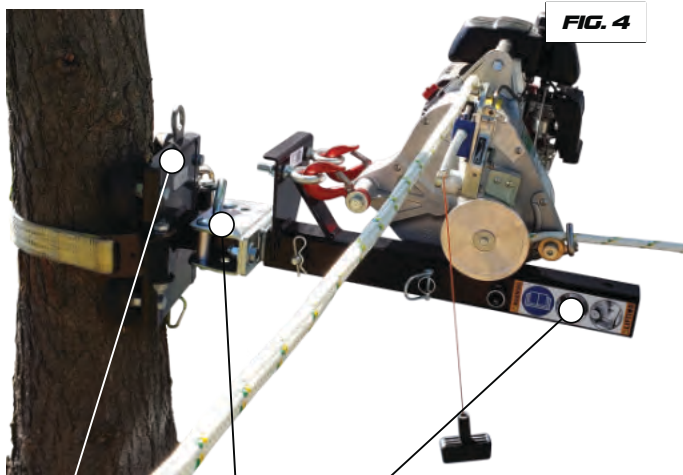
**PCA-1269**



**FIG. 3**

**PCA-1263**

**PCA-1268**

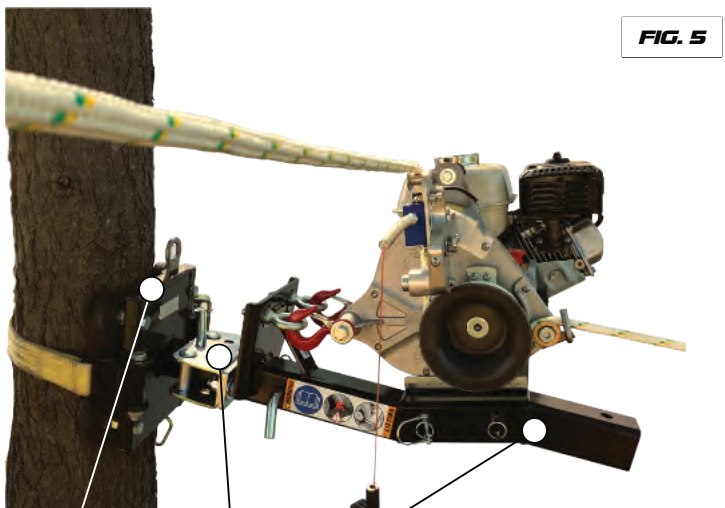


**FIG. 4**

**PCA-1263**

**PCA-1332**

**PCA-1264**

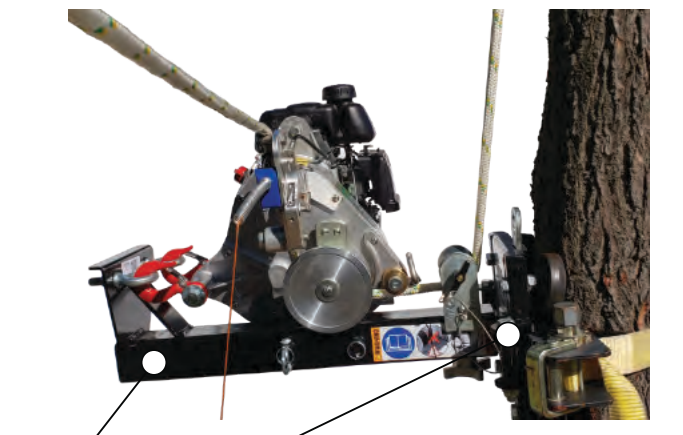


**FIG. 5**

**PCA-1263**

**PCA-1332**

**PCA-2264**

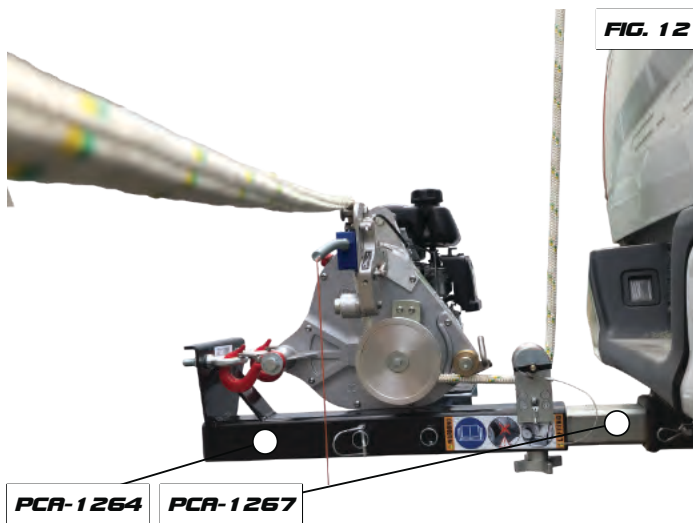
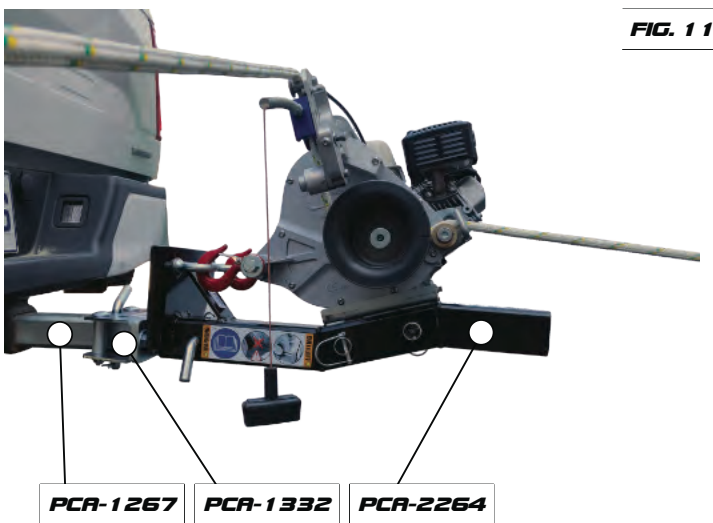
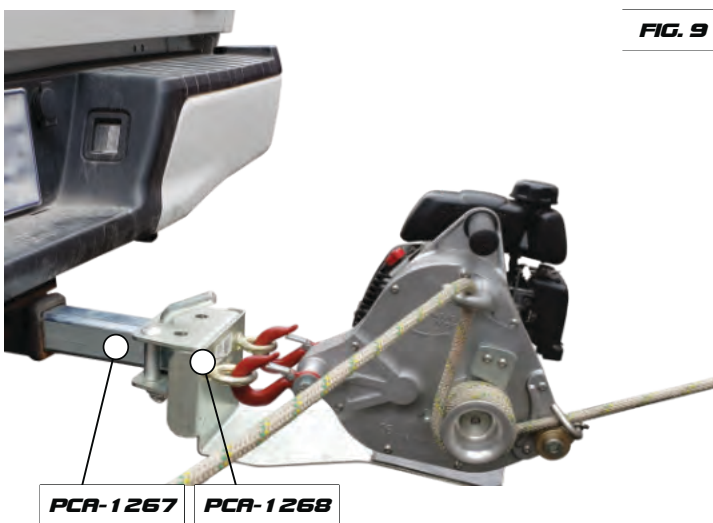


**FIG. 6**

**PCA-1264**

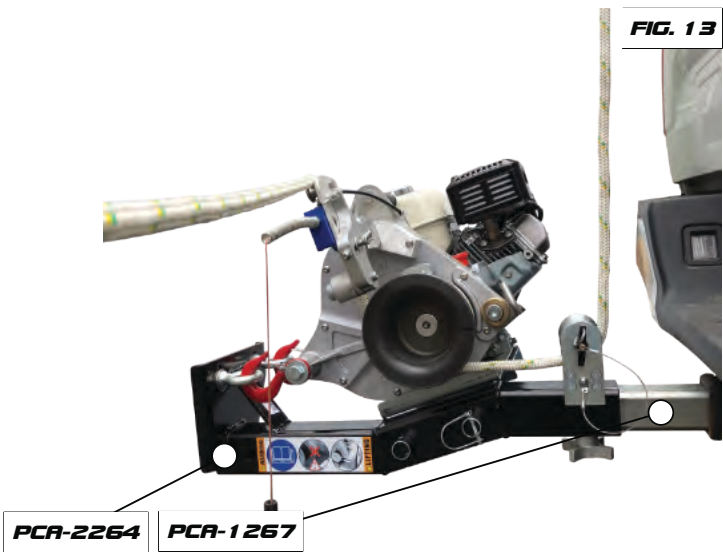
**PCA-1263**



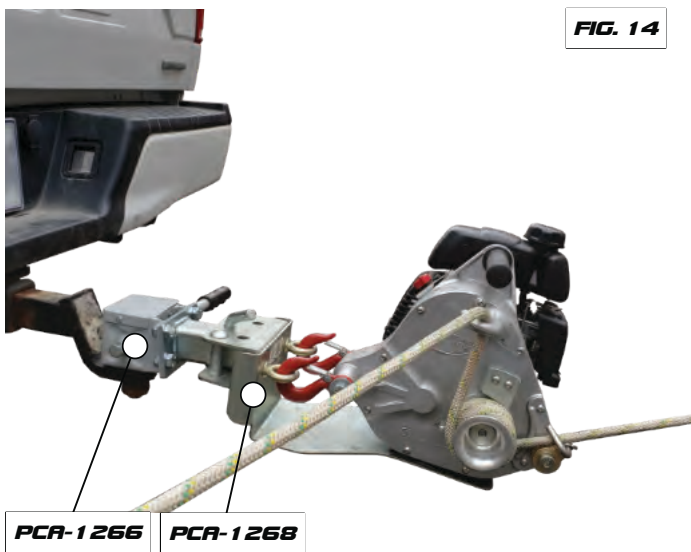




**FIG. 13**



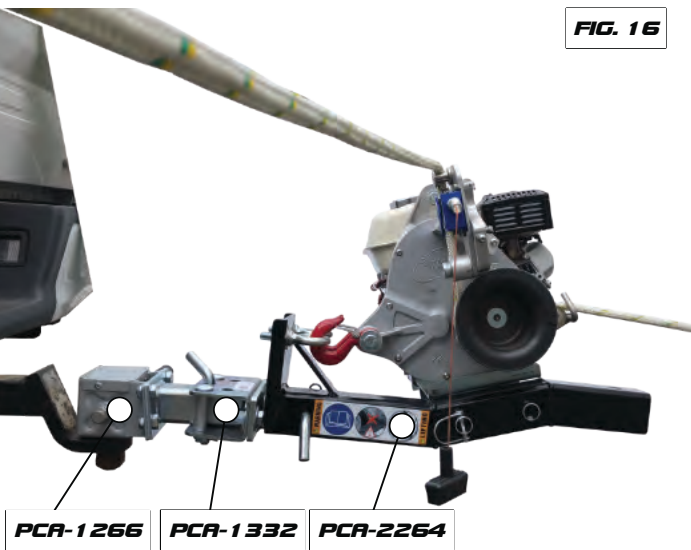
**FIG. 14**



**FIG. 15**



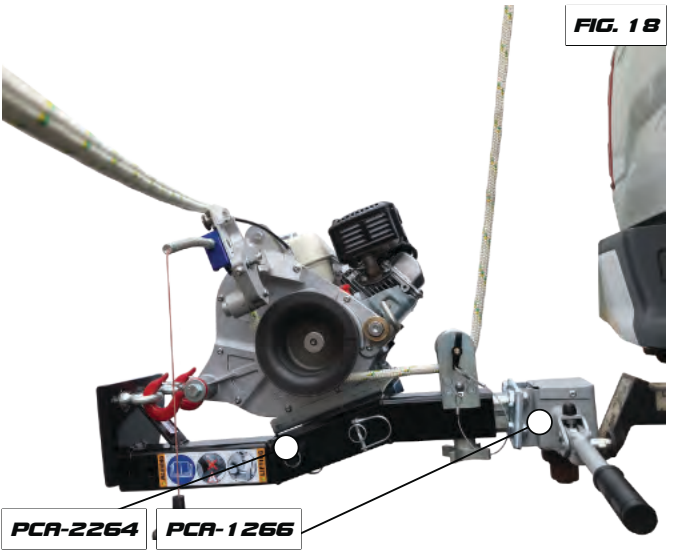
**FIG. 16**



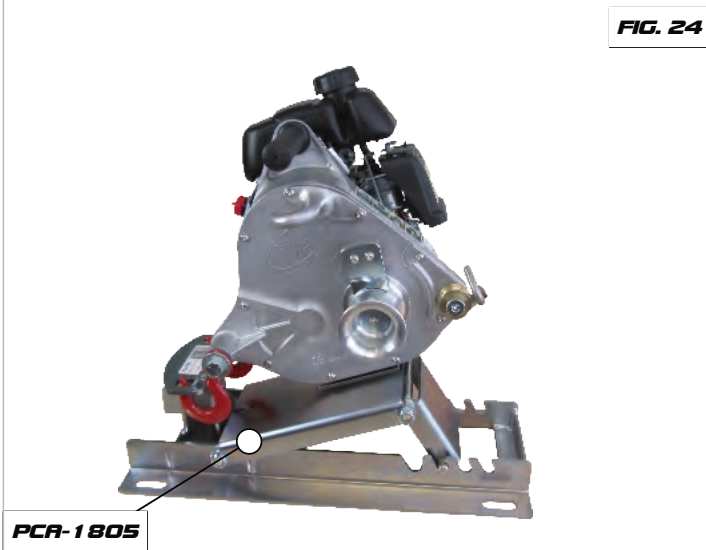
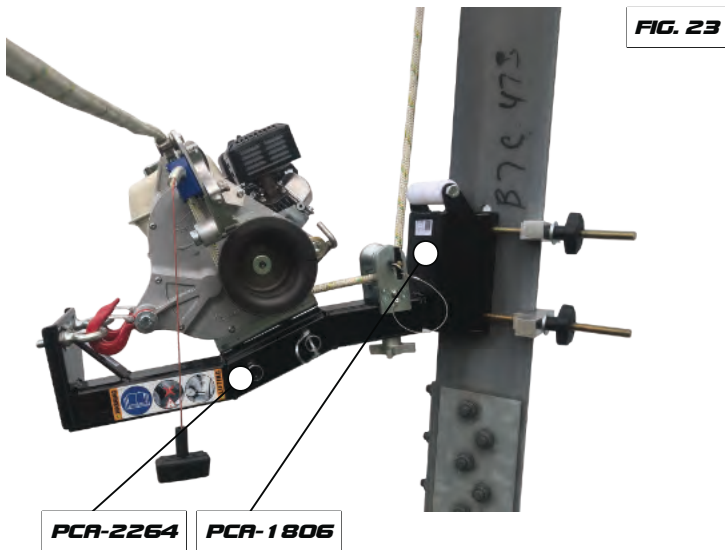
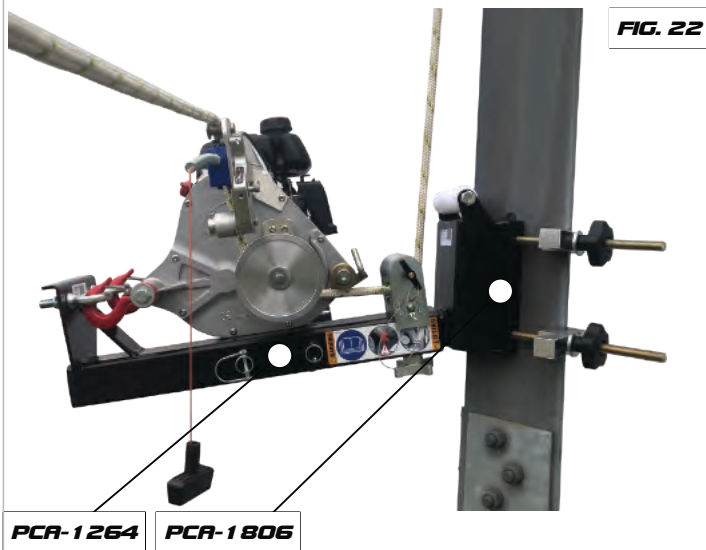
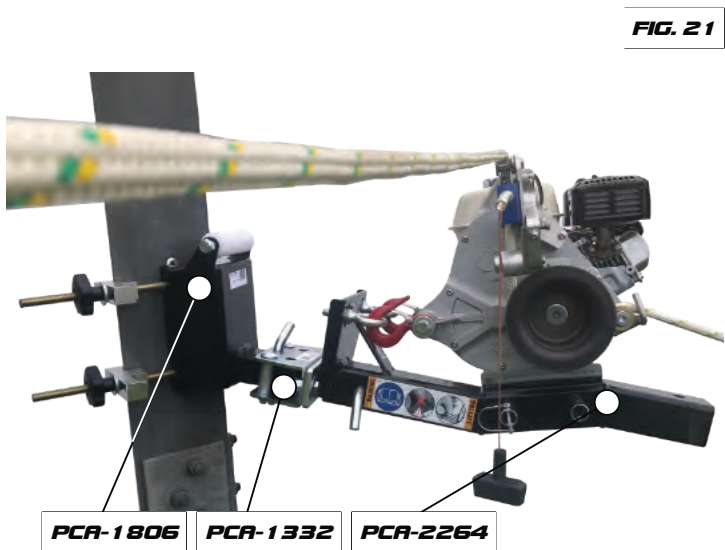
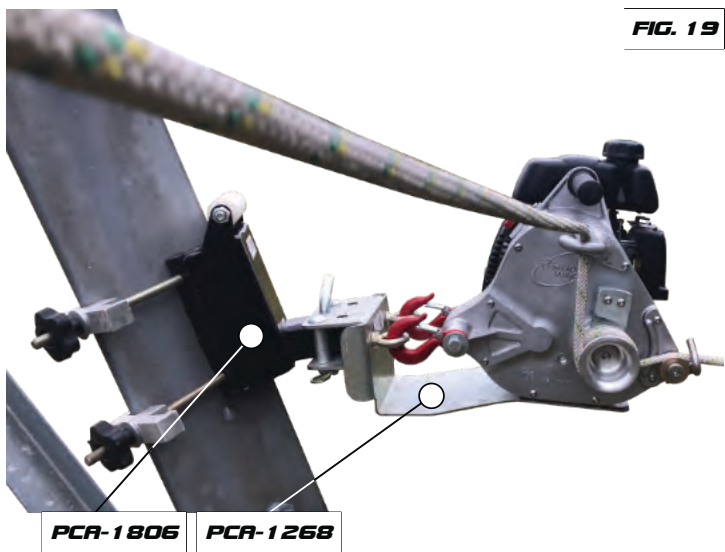
**FIG. 17**



**FIG. 18**









Capstan drums can be replaced on winches when worn out or in order to increase either the speed or the capacity of the winch. All models are supplied with their corresponding rope guide.

Refer to the chart below to see how these drums perform.



CAPSTAN DRUMS WITH ROPE GUIDE AND SCREWS		WEIGHT AND DIMENSIONS	COMPATIBILITY
<b>A</b>	PCA-1110	350 G Ø 57 MM	PCW5000, PCW5000-HS, PCH1000, PCT1800-50/60Hz
<b>B</b>	PCA-1120	550 G Ø 76 MM	PCW3000, PCW3000-Li
<b>C</b>	PCA-1100	750 G Ø 85 MM	PCW5000, PCW5000-HS, PCH1000, PCT1800-50/60Hz
<b>D</b>	PCA-1130	1,5 KG Ø 108 MM	PCH2000

CAPSTAN DRUMS	WINCH MODELS							
	PCW3000-Li	PCW3000	PCW5000	PCW5000-HS	PCH1000	PCH2000	PCT1800-60Hz	PCT1800-50Hz
<b>MAXIMUM PULLING CAPACITY (SINGLE LINE)</b>								
57 MM	---	---	1,000 KG	500 KG	775 KG	---	1,000 KG	1,000 KG
85 MM	---	---	700 KG	350 KG	540 KG	---	820 KG	820 KG
76 MM	1,000 KG	700 KG	---	---	---	---	---	---
108 MM	---	---	---	---	---	1,150 KG	---	---
<b>MAXIMUM LIFTING CAPACITY (SINGLE LINE)</b>								
57 MM	WINCHES NOT DESIGNED FOR LIFTING				250 KG	---	250 KG	250 KG
85 MM					175 KG	---	250 KG	250 KG
76 MM					---	450 KG	---	---
<b>MAXIMUM SPEED (SINGLE LINE)</b>								
57 MM	---	---	12 M/MIN	24 M/MIN	12 M/MIN	---	5.8 M/MIN	4.8 M/MIN
85 MM	---	---	18 M/MIN	36 M/MIN	18 M/MIN	---	8.8 M/MIN	7.2 M/MIN
76 MM	11.6 M/MIN	10 M/MIN	---	---	---	---	---	---
108 MM	---	---	---	---	---	20 M/MIN	---	---





**PCA-1290**  
**SKIDDING CONE FOR LOGS**

The skidding cone is an essential tool for small-scale timber harvesting activities. It prevents logs from getting stuck in roots, stumps and other obstacles. Its elliptical-shaped nose makes it robust and allows it to slide along residual trees, thus avoiding injuries during regeneration. Made of high-performance polymer plastic, it is lightweight, flexible and virtually unbreakable.

Its large opening can fit a trunk of 50 cm in diameter, or several bundled stems. The friction on the ground is considerably reduced, which makes it possible to pull heavier loads. It can be used with a portable winch, behind an all-terrain vehicle, a snowmobile, a small tractor and even a horse, in any season, since it can withstand temperatures down to -30 ° C (-22 ° F).

**Weight:** 5,1 kg  
**Dimensions:** 67 cm x 64 cm  
**Diameter :** 50,8 cm



**PCA-1270**  
**OPEN-FACE CORNER BLOCK**

The open-face pulley is designed to pull trees perpendicular to a path when the traction comes from a vehicle. It is also useful for deviating trajectory and get around obstacles.

In addition, when installed at height, it creates a pull angle that allows the tip of the log to be slightly lifted and thus reduces friction on the ground.

Made of steel, it is shock-resistant and is generally used paired with the automatic release (PCA-1291). The sheave is smooth and without sharp edges: it will not damage synthetic lines.

The 100-mm diameter of the pulley supplies very good efficiency.  
Attach it to a tree with one of our polyester slings.

**Weight:** 2,40 kg  
**Dimensions:** 25 cm x 10 cm x 5,8 cm  
**Compatibility :** For ropes up to 13 mm in diameter



**PCA-1291**  
**AUTOMATIC RELEASE FOR OPEN PULLEY**

The automatic release is used to take the rope out of the pulley (PCA-1270) at the right time in order to let the log finish its way parallel to the trail, without having to interrupt the operation to manually take the rope out of the pulley. It greatly improves productivity of small-scale harvesting activities.

The release consists of two parts: a steel cartridge and a chain link. Both are loose at the end of the rope when they are not used. To install them, simply position the chain link at the desired distance on the rope, turn it the other way around and insert it into the cartridge. This will hold it in place without damaging the rope. Once to the pulley, the release will take the rope out of the pulley. This will allow the log to continue its way and pivot along the path.

Suitable for ropes up to 13 mm in diameter. Not recommended for use with the portable winch when anchored with a sling, because when the rope tension is released, the winch may suddenly fall to the ground and suffer damage. It is better to use an anchoring such as PCA-1268 or PCA-1269.

**Weight:** 300 g  
**Dimensions:** 8 cm x 5 cm  
**Compatibility :** For ropes up to 13 mm in diameter



**PCA-1310**

**PULLING PLATE FOR VEHICLES**

The pulling plate is designed to be inserted on a vehicle ball and to attach a synthetic rope to it. The straight and smooth drum ensures that the rope will be easily untied without any damage. A slot on the left side is used to insert a chain link to pull directly behind the quad. To the right of the knob, a hook is used to attach a steel ring or sling. The plate has a keyhole-shaped opening that allows it to slide on a tow ball up to 50.8 mm (2") in diameter. Once positioned on the ball neck, it is able to rotate and align with the load.

The grip is taken near the quad's center of gravity, reducing the risk of rotation for increased safety.

Finally, it can also be used on a car or 4x4!

**Weight:** 1,55 kg

**Dimensions:** 24 cm x 15 cm x 6,5 cm



**PCA-1295**

**CHOKER CHAIN 2.1 M WITH C-HOOK AND STEEL ROD**

Made with 1/4" (6.35 mm) diameter plated steel chain, it is 2.1m long without the needle and allows a 50 cm diameter tree to be encircled while keeping a sufficient length to thread it into the nose of the skidding cone.

It is also equipped with a C-shaped hook for quick and safe installation and disassembly.

The 30 cm steel rod at the end of the chain allows it to be easily pushed under the logs or inserted into the opening of the skidding cone.

The perfect sling to pull with our winches, your off-road vehicle or tractor!

**Weight:** 2,4 kg

**Dimensions:** 2.10 m, chain links 6,4 mm.

**Minimum Breaking Strength:** 56.9 kN.



**PCA-1372**

**HPPE ROPE CHOKER 2.1 M WITH STEEL PIN**

High Performance Polyethylene (HPPE) fibres are among the strongest fibres in the world. HPPE cables have been used on boats and in industries for several years. We now offer HPPE slings that advantageously replace regular chains. They are made of 10 mm diameter HPPE rope, with a minimum Minimum Breaking Strength (MBS) of 69 kN. They are extremely light, strong and durable.

Three 6 mm chain stitches and a 30 cm needle at the end allow it to be pushed under the logs or into the opening of the skidding cone and attached to a flat hook. A splice forming a long eyelet at the other end is used to strangle the load.

A true pleasure to work with!

**Weight:** 400 g

**Dimensions:** 2.10 m, Ø 10 mm rope

**Minimum Breaking Strength:** 69 kN.





**PCA-1151 / PCA-1152**

**SPARK ARRESTOR HONDA ENGINE**

The spark arrester prevents carbon deposits that could be ejected from the engine and start a fire.

Spark arrestors are mandatory in some areas. We invite you to consult the local regulations for this purpose.

It is easily installed with a screwdriver. A screw is provided. It is installed on the Honda GXH50 / Honda GX160 engine.

NOTE: The GX35 engine is already equipped with a spark arrester.

SPARK ARRESTER FOR HONDA GXH50 / GX160 MOTOR			WEIGHT AND DIMENSIONS
<b>A</b>	PCA-1151	SPARK ARRESTER FOR HONDA ENGINE GXH50	10 G Ø 22 MM Length : 45 MM
<b>B</b>	PCA-1152	SPARK ARRESTER FOR HONDA ENGINE GX160	12 G Ø 22 MM Length : 62 MM

**PCA-31650-HG / PCA-1450-HG / PCA-1450-EX**

**DYNEEMA WINCH CABLES FOR ATV (QUAD)**

These winch cables for all-terrain vehicle (QUAD, side-by-side, 4x4, etc.) are made from Dyneema SK-75 synthetic fibers. These High Performance Polyethylene (HPPE) fibers are braided to form a twelve (12) strand hollow core cable that replaces steel wire of equivalent diameter, while being nine (9) times lighter!

Advantages:

They do not deform; they do not freeze; they do not make pigtails; they do not hurt their hands; they are easy to maneuver and repair. Research conducted by the *FPInnovations* Research Institute has shown that these cables can last longer than steel cables.

Once you have tried this type of cable, you will never want to use steel cables again.

Note: When installing the cable, it is recommended to polish all winch surfaces to remove any sharp edges that may come in contact with the new cable.



DYNEEMA WINCH CABLES FOR ATV (QUAD)			WEIGHT AND DIMENSIONS
<b>A</b>	PCA-31650-HG	DYNEEMA WINCH CABLES FOR ATV (QUAD) <i>Minimum Breaking Strength : 20,5 kN (2085 KG)</i>	200 G Ø 5 MM Length : 15 M
<b>B</b>	PCA-1450-HG	DYNEEMA WINCH CABLES FOR ATV (QUAD) <i>Minimum Breaking Strength : 33.4 kN (3400 KG)</i>	300 G Ø 6 MM Length : 15 M
<b>C</b>	PCA-1450-EX	(EXTENSION) DYNEEMA WINCH CABLES FOR ATV (QUAD) <i>Minimum Breaking Strength : 33.4 kN (3400 KG)</i>	300 G Ø 6 MM Length : 15 M









## **ACCESSORIES** **KITS**

Find in this section complementary kits to our winches. They can also be used independently to a winch and / or with an all-terrain vehicle!



# PCA-1002

KIT OF PULLING ACCESSORIES WITH ROPE 12 MM X 50 M

# ACCESSORIES KIT

## PCA-1215M

Material: Double braided polyester  
Minimum Breaking Strength: 3,300 kg

## PCA-1255

Material: Nylon  
Volume: 22 L

## PCA-1274

Minimum Breaking Strength: 90 kN (9,185 kg)  
Diameter: 100 mm

## PCA-1276

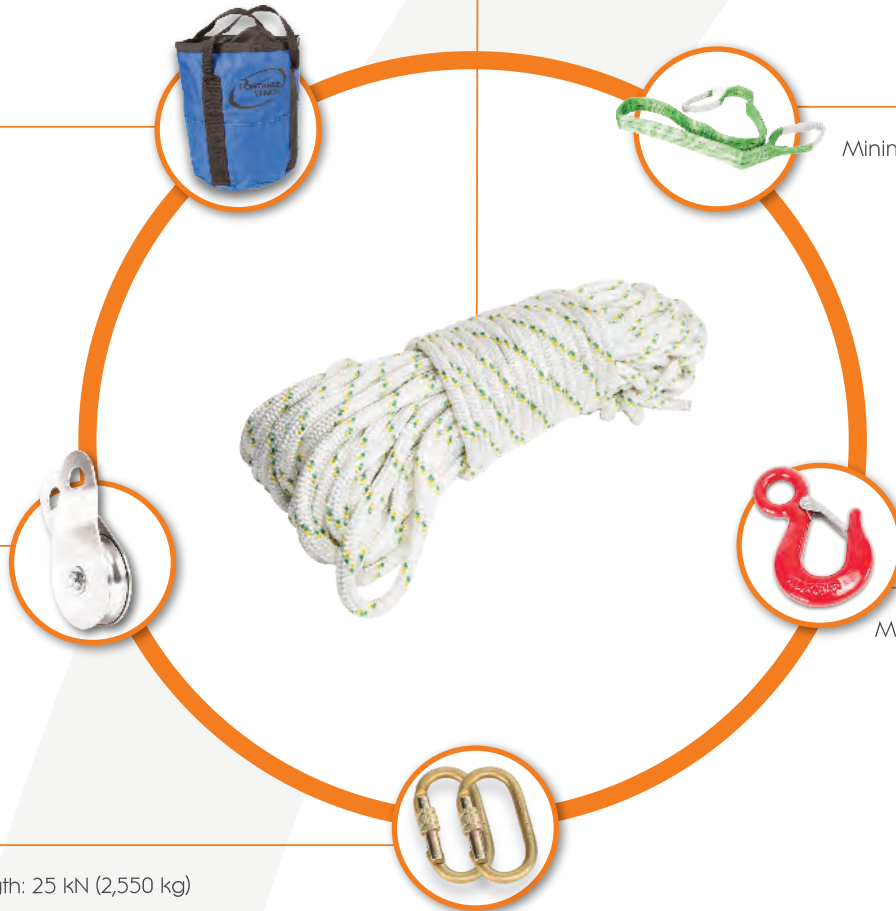
Material: Zinc-plated steel  
Minimum Breaking Strength: 25 kN (2,550 kg)

## PCA-1260

60 mm x 2 m  
Minimum Breaking Strength: 14,000 kg

## PCA-1281

Material: Painted steel  
Minimum Breaking Strength: 7.3 kN (744 KG)



## PCA-1002

- 1x PCA-1215M  
ROPE 12 MM X 50 M
- 1x PCA-1255  
ROPE BAG
- 1x PCA-1274  
SINGLE SWING SIDE PULLEY
- 2x PCA-1276  
LOCKING CARABINER
- 1x PCA-1281  
SAFETY HOOK
- 1x PCA-1260  
POLYESTER SLING

**The perfect accessory kit to complement your PCW5000 winch, an off-road vehicle or simply pull smaller loads by hand.**

This kit includes a pulley with oscillating sides, to allow you to deflect a load or double the pulling force. With the carabiners, sling, rope and pulley, everything is there to help you! In addition, the 12 mm x 50 m rope with a minimum Minimum Breaking Strength of 3300 kg is an excellent partner for our PCW5000 winch. Whether you already own one or are considering purchasing one in the future, you will have in this kit the basic complementary accessories on hand.

The perfect kit to complement the PCW5000!

*Winch sold separately.*





# PCA-1003

KIT OF PULLING ACCESSORIES WITH ROPE 10 MM X 50 M

# ACCESSORIES KIT

### PCA-1205M

Material: Double braided polyester  
Minimum Breaking Strength: 2,200 kg

### PCA-1255

Material: Nylon  
Volume: 22 L

### PCA-1275

Minimum Breaking Strength : 60 kN (6,125 kg)  
Diameter: 76 mm

### PCA-1276

Material: Zinc-plated steel  
Minimum Breaking Strength: 25 kN (2,550 kg)

### PCA-1260

60 mm x 2 m  
Minimum Breaking Strength :  
14,000 kg

### PCA-1281

Material: Painted steel  
Minimum Breaking Strength: 7.3 kN (744 KG)



## PCA-1003

- 1x PCA-1205M  
ROPE 10 MM X 50 M
- 1x PCA-1255  
ROPE BAG
- 1x PCA-1275  
SINGLE SWING SIDE PULLEY
- 2x PCA-1276  
LOCKING CARABINER
- 1x PCA-1281  
SAFETY HOOK
- 1x PCA-1260  
POLYESTER SLING

**The perfect accessory kit to complement your PCW3000 or PCW3000-Li winches, an off-road vehicle or simply pull smaller loads by hand.**

This kit includes a pulley with oscillating sides, to allow you to deflect a load or double the pulling force. With the carabiners, sling, rope and pulley, everything is there to help you! In addition, the 10 mm x 50 m rope, with a minimum Minimum Breaking Strength of 2200 kg, is an excellent partner for our PCW3000 and PCW3000-Li winches. Whether you already own one or are considering purchasing one in the future, you will have in this kit the basic complementary accessories on hand.

The perfect kit to complement the PCW3000 and PCW3000-Li!

*Winch sold separately.*



### PCA-1215M

Material: Double braided polyester  
Minimum Breaking Strength: 3,300 kg

### PCA-1255

Material: Nylon  
Volume: 22 L

### PCA-1290

Material: High-performance plastic  
Diameter: 50.8 cm

### PCA-1295

30 cm steel rod  
Chain Length: 2.1 m  
Material: Zinc-plated steel  
Minimum Breaking Strength: 56.9 kN (5,818 kg)

### PCA-1282

Material: Zinc-plated steel  
Minimum Breaking Strength: 20 kN (2,040 kg)

### PCA-1276

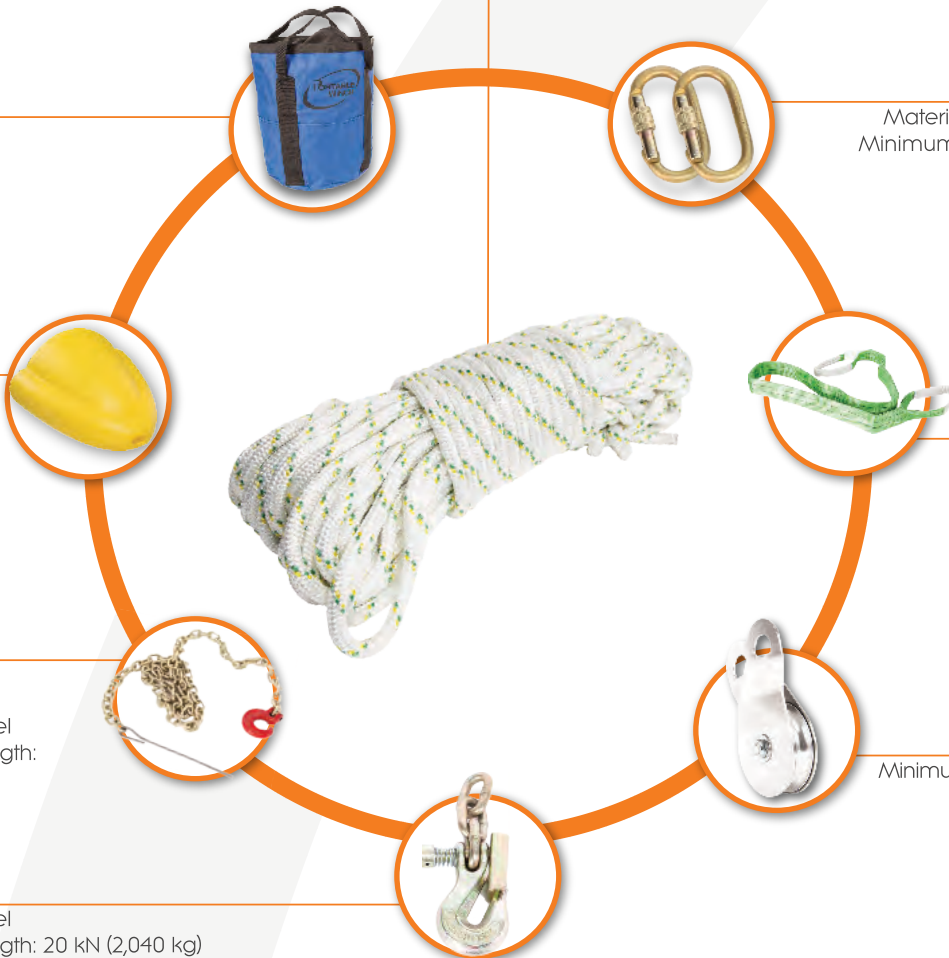
Material: Zinc-plated steel  
Minimum Breaking Strength: 25 kN (2,550 kg)

### PCA-1260

60 mm x 2 m  
Minimum Breaking Strength : 14,000 kg

### PCA-1274

Minimum Breaking Strength: 90 kN (9,185 kg)  
Diameter : 100 mm



## PCA-1005

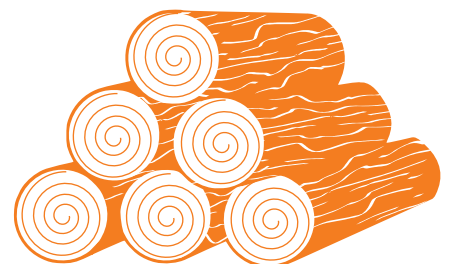
- 1x PCA-1215M  
ROPE 12 MM X 50 M
- 1x PCA-1255  
ROPE BAG
- 1x PCA-1290  
SKIDDING CONE
- 1x PCA-1295  
CHOKER CHAIN
- 1x PCA-1282  
LOCKING GRAB HOOK
- 1x PCA-1274  
SINGLE SWING SIDE PULLEY
- 1x PCA-1260  
POLYESTER SLING
- 2x PCA-1276  
LOCKING CARABINER

### An exceptional addition for PCW5000 winch owners who want to get out of the woods!

This kit includes the essentials such as a 12 mm x 50 m rope, a bag to store it, and a sturdy skidding cone, two snap hooks, a sling chain, a locking hook, a polyester sling and a pulley that will either deflect a load or double the winching capacity.

A perfect complement to work in the forest with a PCW5000!

*Winch sold separately.*





# PCA-1006

FORESTRY ACCESSORIES KIT WITH 10 MM X 50 M ROPE

# ACCESSORIES KIT

### PCA-1205M

Material: Double braided polyester  
Minimum Breaking Strength: 2,200 kg

### PCA-1255

Material: Nylon  
Volume: 22 L

### PCA-1290

Material:  
High performance plastic  
Diameter: 50.8 cm

### PCA-1295

30 cm steel rod  
Chain Length: 2.1 m  
Material: Zinc-plated steel  
Minimum Breaking Strength:  
56.9 kN (5,818 kg)

### PCA-1282

Material: Zinc-plated steel  
Minimum Breaking Strength: 20 kN (2,040 kg)

### PCA-1276

Material: Zinc-plated steel  
Minimum Breaking Strength:  
25 kN (2,550 kg)

### PCA-1260

60 mm x 2 m  
Minimum Breaking Strength :  
14,000 kg

### PCA-1275

Minimum Breaking Strength :  
60 kN (6,125 kg)  
Diameter: 76 mm



## PCA-1006

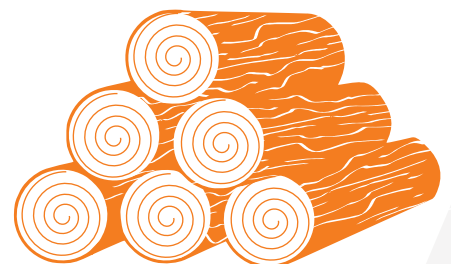
- 1x PCA-1205M  
ROPE 10 MM X 50 M
- 1x PCA-1255  
ROPE BAG
- 1x PCA-1290  
SKIDDING CONE
- 1x PCA-1295  
CHOKER CHAIN
- 1x PCA-1282  
LOCKING GRAB HOOK
- 1x PCA-1275  
SINGLE SWING SIDE PULLEY
- 1x PCA-1260  
POLYESTER SLING
- 2x PCA-1276  
LOCKING CARABINER

**This accessories kit is the perfect combination for owners of PCW3000 or PCW3000-Li winches who want to complete their arsenal for pulling logs.**

This kit includes a 10 mm x 50 m rope, a bag to store it and a sturdy skidding cone, two snap hooks, a sling chain, a locking hook, a polyester sling and a pulley that will either deflect a load or double the winching capacity.

An exceptional addition for PCW3000 or PCW3000-Li owners who want to get out of the woods!

*Winche sold separately.*



# PCA-1290-K

SKIDDING CONE KIT FOR OFF-ROAD VEHICLES

# ACCESSORIES KIT

## PCA-1215M

Material: Double braided polyester  
Minimum Breaking Strength: 3,300 kg

## PCA-1255

Material: Nylon  
Volume: 22 L

## PCA-1290

Material:  
High-performance plastic  
Diameter: 50.8 cm

## PCA-1295

30 cm steel rod  
Chain Length: 2.1 m  
Material: Zinc-plated steel  
Minimum Breaking Strength:  
56.9 kN (5,818 kg)

## PCA-1282

Material: Zinc-plated steel  
Minimum Breaking Strength: 20 kN (2,040 kg)

## PCA-1260

60 mm x 2 m  
Minimum Breaking Strength : 14,000 kg

## PCA-1310

Material:  
Zinc Plated Steel  
Length: 15 cm  
Width: 6.5 cm  
Height: 24 cm

## PCA-1291

Rope up to 13 mm (1/2 ")  
Material: Zinc Plated Steel

## PCA-1270

100 mm steel wheel  
Material : Zinc Plated Steel  
Minimum Breaking Strength : 20 kN  
(2,040 kg)

## PCA-1290-K

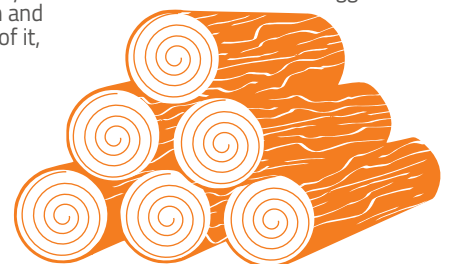
- 1x PCA-1215M  
ROPE 12 MM X 50 M
- 1x PCA-1255  
ROPE BAG
- 1x PCA-1290  
SKIDDING CONE
- 1x PCA-1295  
CHOKER CHAIN
- 1x PCA-1282  
LOCKING GRAB HOOK
- 1x PCA-1270  
OPEN-FACE PULLEY
- 1x PCA-1291  
AUTOMATIC TRIGGER
- 1x PCA-1310  
PULL PLATE FOR VEHICLES UP TO 2" (50.8 MM)
- 1x PCA-1260  
POLYESTER SLING

**This skidding kit is ideal for transforming all types of off-road vehicles (ATVs, QUADS, side-by-side, snowmobiles) into a logging machine.**

It includes the essentials for using your vehicle as an anchor. It features a sturdy skidding cone, a sling chain and a locking hook in addition to a vehicle pull plate. Since there is no adequate anchorage point on these vehicles, the draw plate is the perfect solution. The user can hang a rope, a chain-sling or any other type of slings through the pommel and two hooks. It is designed to be inserted on all towballs 50.8 mm in diameter and less.

The kit also includes an open-face deflection pulley and an automatic release. The trigger is installed anywhere on the rope using the mesh and when it reaches the pulley, it jumps the rope out of it, allowing the driver to stay in the path while deflecting his logs. Combined with the skidding cone, your load will make its way and you will not have to worry about pitfalls, allowing you to focus on the trail ahead.

Accessory set par excellence to get out of logs with your ATV, your snowmobile ... or even your horse!













## **USEFUL INFORMATION**

<b>88</b>	<b>Deviation, Block and Tackle Systems</b>
<b>92</b>	<b>Directional felling</b>
<b>94</b>	<b>Safety factors</b>
<b>96</b>	<b>Recommended knots</b>

**[WWW.PORTABLEWINCH.COM](http://WWW.PORTABLEWINCH.COM)**

 **WATCH OUR VIDEOS**

**CONSULT [WWW.PORTABLEWINCH.COM](http://WWW.PORTABLEWINCH.COM)  
FOR ADDITIONAL INFORMATION**

YOU WILL FIND THE INFORMATIVE DOCUMENTS, THE INSTRUCTION SHEETS,  
THE USER'S MANUALS AND MORE.

Pulleys are used to guide the rope to the right angle or to increase the pulling capacity with a pulley system.

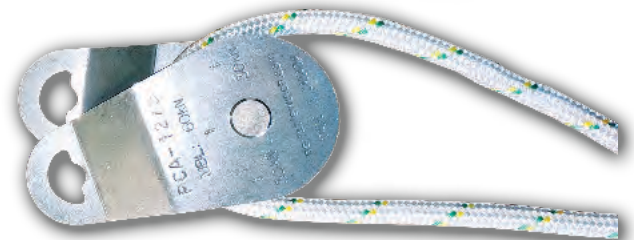
**Pulleys have two main functions:**

## DEVIATION

A deviation pulley is HIGHLY recommended. It is a single pulley which is used to change the traction angle (upwards or to the side) or to keep the rope off the ground. For example, a deviation pulley used on a steep slope allows the operator to keep the winch level. On level ground, creating a light angle reduces friction on the system and premature wear of the rope.

## BLOCK AND TACKLE SYSTEMS

When working with ropes, pulleys are extremely useful for creating mechanical advantage, that is to say reducing the force required to move a mass. With the right number of pulleys, it is possible to move loads two, three and even four times greater than the force applied. This pulley combination is called a block and tackle system. When we use pulleys to multiply the force applied, we also reduce the pulling or lifting speed, for a same factors.

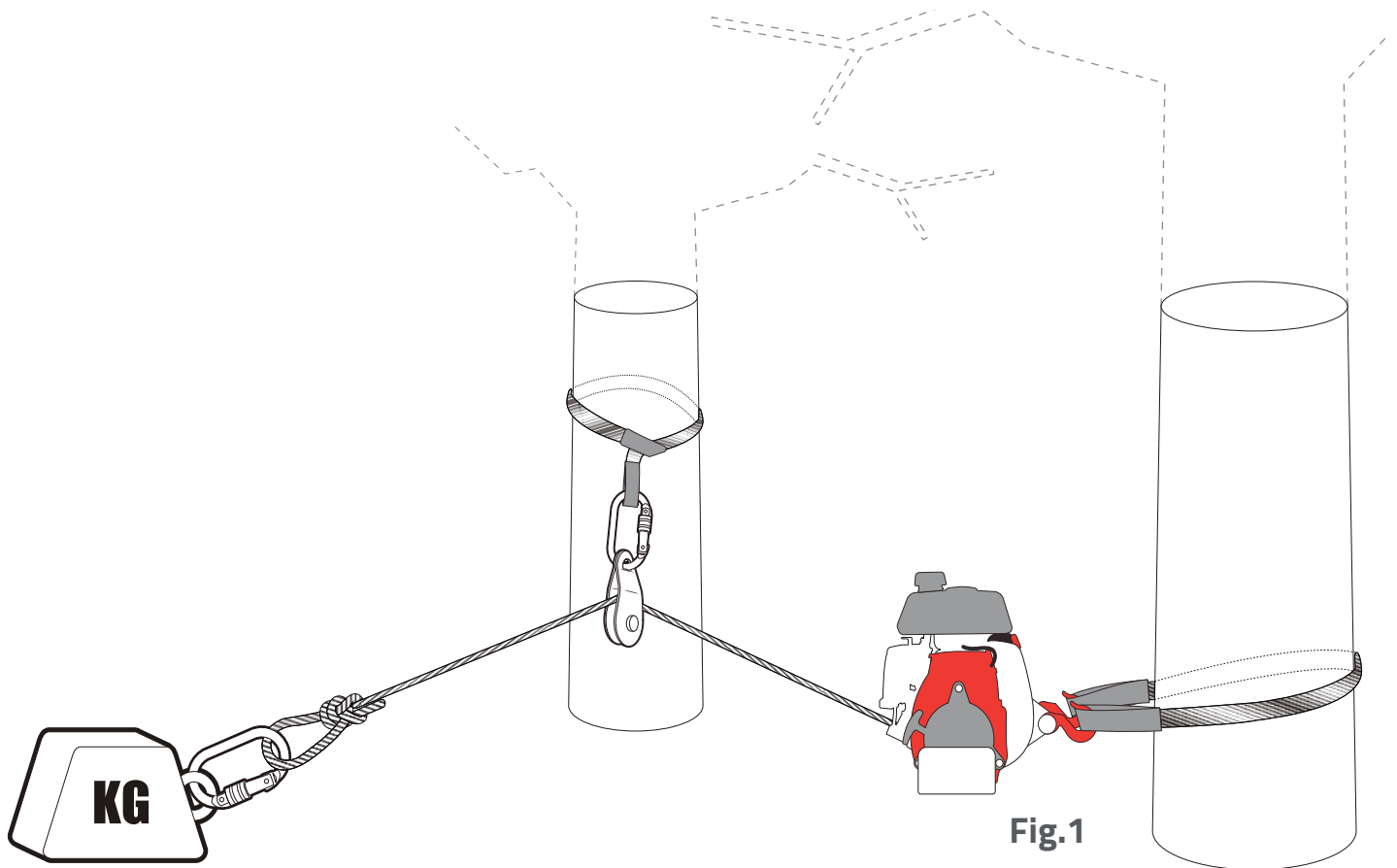


Generally speaking, each pulley must be attached to a solid anchor point by using a carabiner and a sling in accordance with the appropriate safety factor. Therefore, for each pulley, a carabiner and a sling with the appropriate capacity are required. See further on for more information about security factors.



A deviation pulley can often be extremely helpful. It is a single pulley used to change the traction angle (upwards or to the side) or to keep the rope off the ground.

For example, on the photo below, you can see that the winch remains aligned with the pulley regardless if the log moves from left to right during the pull. Furthermore, it allows to slightly lift the front of the log, thus reducing friction with the ground, which is advantageous.



## How to create a mechanical advantage

The use of pulleys offers a mechanical advantage by reducing the force required to move a mass. In this section, you will discover how to double, triple, quadruple or quintuple the capacity of a system by using pulleys. In order to gain a mechanical advantage, at least one pulley must be attached to the load. Let's look at some simple cases of block and tackle systems for pulling objects. In figure 3, there is no mechanical advantage because there is no pulley attached to the load and the force applied to the rope is equivalent to the winch capacity (e.g. 1,000 kg with the PCW5000).

### PULLING WITH NO MECHANICAL ADVANTAGE X 1

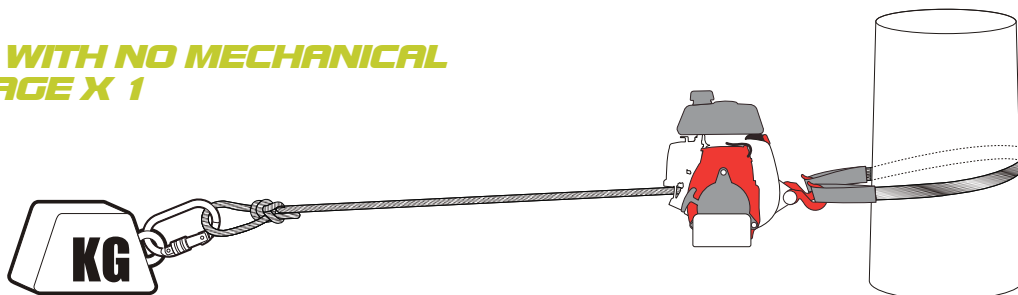


Fig. 3

### PULLING WITH A MECHANICAL ADVANTAGE X 2

In figure 4, a pulley is attached to the load and the end of the rope is attached to the same anchor point as the winch. There are two rope lengths, each applying a pulling force of 1,000 kg. The mechanical advantage is x2.

For example, a power of 1,000 kg applied by a PCW5000 will move a 2,000 kg load.

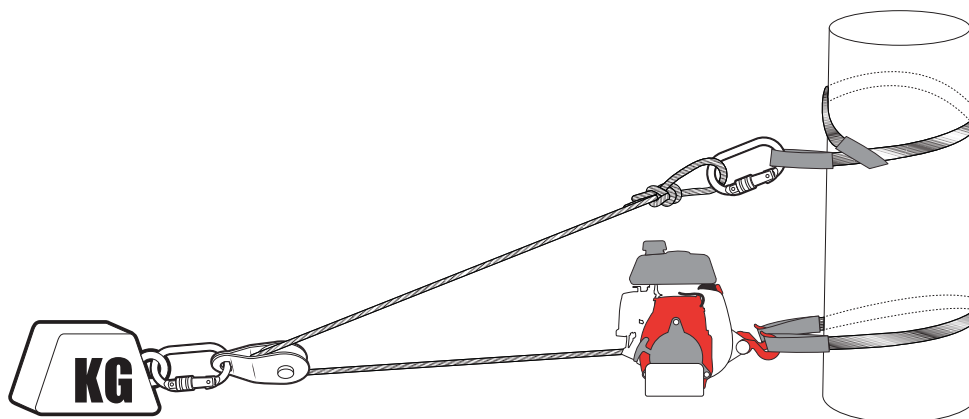


Fig. 4

SUGGESTED ACCESSORIES						
MECHANICAL ADVANTAGE	NONE- SINGLE LINE - Fig. 3			2x - DOUBLE LINE- Fig. 4		
WINCH MODEL USED	PCW3000-Li	PCW3000	PCW5000	PCW3000-Li	PCW3000	PCW5000
PULLING FORCE OBTAINED (KG)	1,000 kg	700 kg	1,000 kg	2,000 kg	1,400 kg	2,000 kg
DBP ROPE - 10 MM (VARIABLE LENGTH)	1			1		
DBP ROPE - 12 MM (VARIABLE LENGTH)			1			1
SINGLE PULLEY - 76 MM (PCA-1275)				1		
DOUBLE PULLEY - 76 MM (PCA-1283)						
SINGLE PULLEY - 100 MM (PCA-1274)						1
DOUBLE PULLEY - 100 MM (PCA-1273)						
STEEL LOCKING CARABINER - 25 kN (PCA-1276)	1		1	2		2
STEEL LOCKING CARABINER - 50 kN (PCA-1702)						
STEEL LOCKING CARABINER - 70 kN (PCA-1701)						
POLYESTER SLING - 60 MM (VARIABLE LENGTH)				1		2



As shown in the following figures, with the help of the right pulleys and carabiners, it is possible to move loads up to 5 times heavier. As mentioned, the number of strands of rope makes it possible to distribute the weight in equal parts on each of them. See in the following figures how to apply a mechanical advantage of 3x, 4x and 5x higher than the power of the winch, all with a single pulley at the load. For example, the 1,000-kg force offered by a PCW5000 will move a load of 3,000 kg (Fig 5), 4,000 kg (Fig 6) and 5,000 kg (Fig 7).

## PULLING WITH A MECHANICAL ADVANTAGE X 3

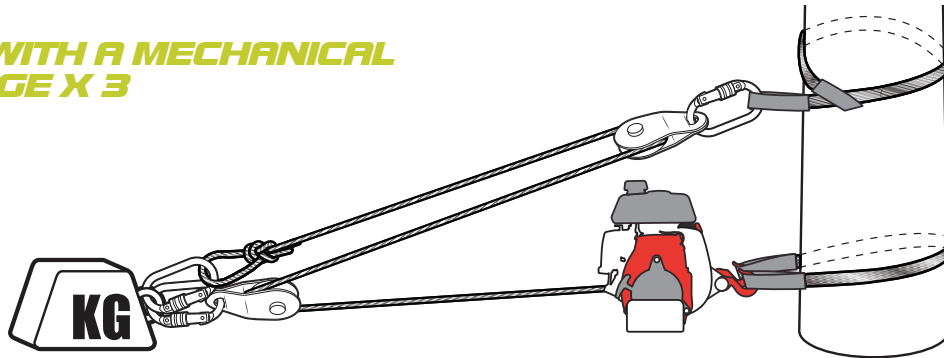


Fig. 5

## PULLING WITH A MECHANICAL ADVANTAGE X 4

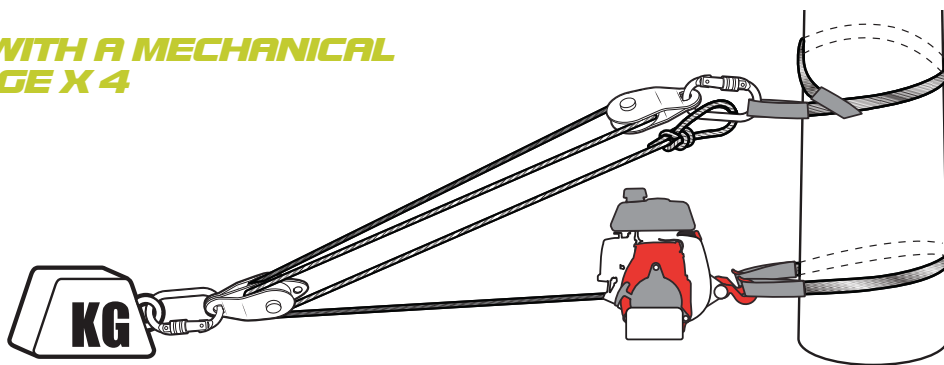


Fig. 6

## PULLING WITH A MECHANICAL ADVANTAGE X 5

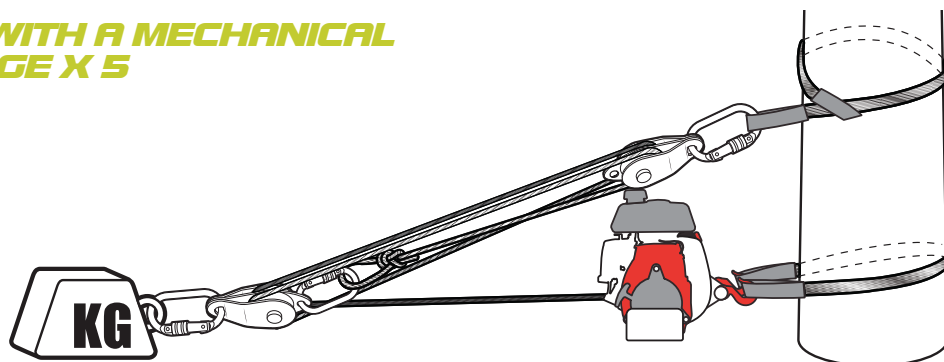


Fig. 7

RECOMMENDED ACCESSORIES									
MECHANICAL ADVANTAGE	3x – TRIPLE LINE – Fig. 5			4x – QUADRUPLE LINE – Fig. 6			5x – QUINTUPLE LINE – Fig. 7		
WINCH MODEL USED	PCW3000-Li	PCW3000	PCW5000	PCW3000-Li	PCW3000	PCW5000	PCW3000-Li	PCW3000	PCW5000
PULLING FORCE OBTAINED (KG)	3,000 kg	2,100 kg	3,000 kg	4,000 kg	2,800 kg	4,000 kg	5,000 kg	3,500 kg	5,000 kg
DBP ROPE - 10 MM (VARIABLE LENGTH)	1			1			1		
DBP ROPE - 12 MM (VARIABLE LENGTH)			1			1			1
SINGLE PULLEY - 76 MM (PCA-1275)	2			1					
DOUBLE PULLEY - 76 MM (PCA-1283)				1			2		
SINGLE PULLEY - 100 MM (PCA-1274)			2			1			
DOUBLE PULLEY - 100 MM (PCA-1273)						1			2
STEEL LOCKING CARABINER – 25 kN (PCA-1276)	3								
STEEL LOCKING CARABINER - 50 kN (PCA-1702)			3	2		2	3		
STEEL LOCKING CARABINER - 70 kN (PCA-1701)									3
POLYESTER SLING - 60 MM (VARIABLE LENGTH)	1			1		1	1		1

There are several situations where it is preferable to secure a tree and direct it during felling:

- Trees leaning to the wrong side
- Trees with an unbalanced top
- Hung-up trees

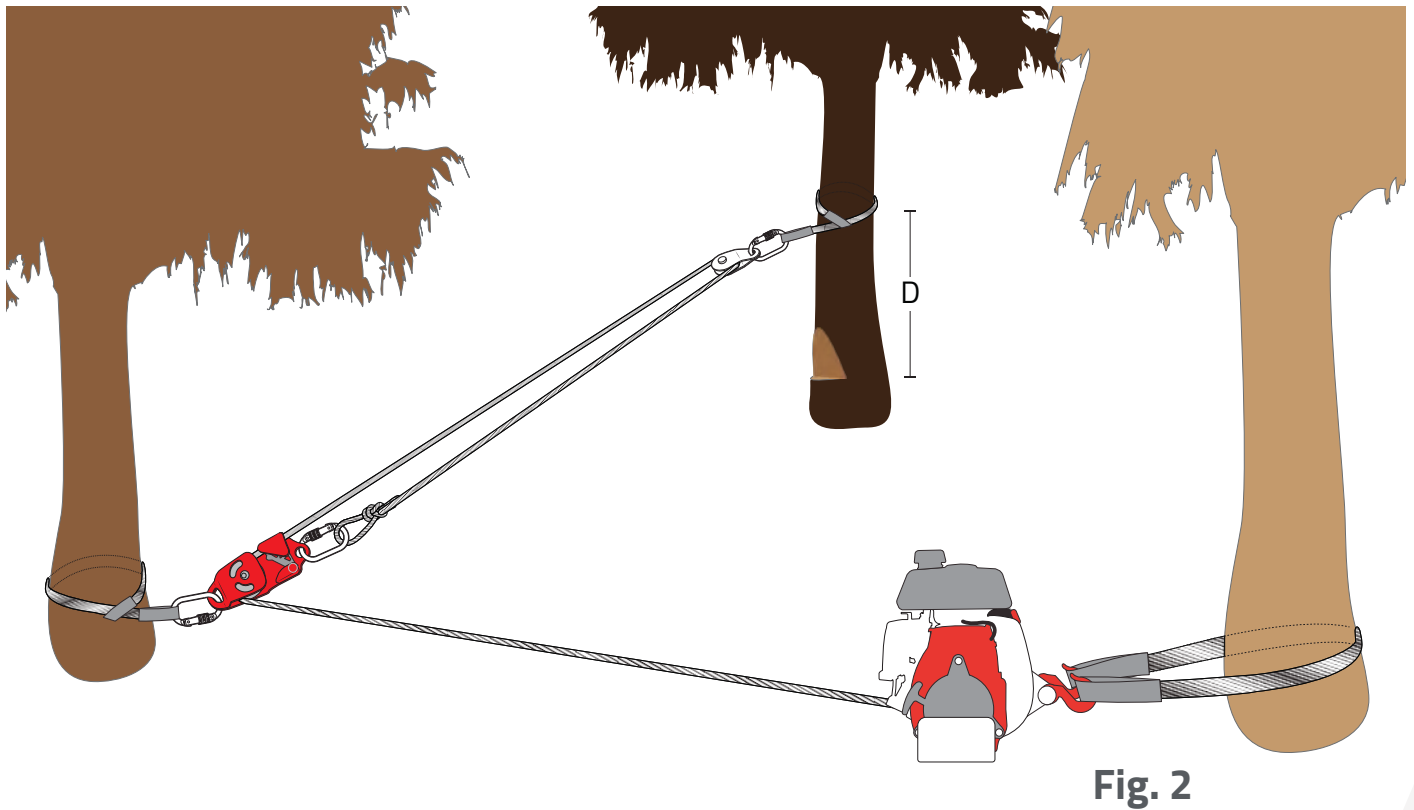
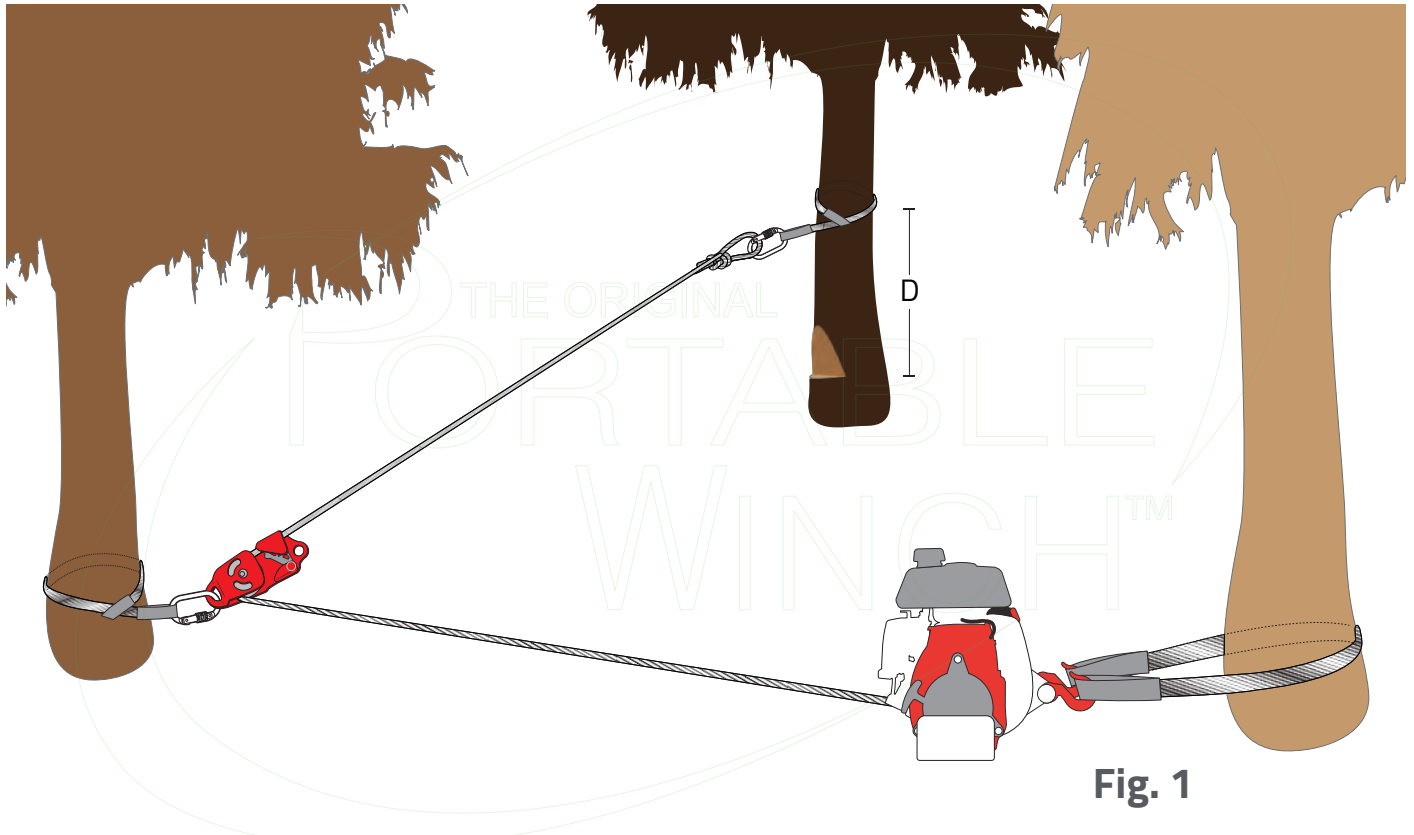
### Here is how:

- 1) Install the winch in a safe zone away from the fall line.
- 2) Install a self-locking pulley at the base of a tree in the fall direction.
- 3) Attach the end of the rope as high as possible to the tree being felled (Figure 2a). Remember that the distance (D) between the attachment point and the felling cut will act as a lever.
- 4) If the tree is leaning significantly, you can connect another pulley to the tree with a sling and attach the end of the rope to the self-locking pulley or to another tree. Thus, you can double the exerted force (Figure 2b).
- 5) Here is the felling method:
  - a. Cut the directional notch in the normal fashion.
  - b. Start the winch and apply tension to the tree until the engine stalls. The self-locking pulley will maintain the tension while the felling is carried out.
  - c. Perform the felling cut normally and secure the tree with wedges.
- 6) Start the winch again and tilt the tree by pulling on the rope.

## ! IMPORTANT

THESE INSTRUCTIONS ARE NOT A DIRECTIONAL FELLING COURSE BUT RATHER A TECHNIQUE FOR USING THE WINCH. IF YOU ARE NOT SKILLED IN FELLING, PLEASE CONTACT A PROFESSIONAL.





Equipment manufacturers rate their goods' resistance according to their breaking strength, which is established during a destructive test. It is the point where the piece of equipment may break, which means that never a force close to the rated minimum breaking strength should be applied. The equipment should rather be used considering an appropriate safety factor. The working load limit (WLL) is generally the minimum breaking strength (MBS) divided by the safety factor (SF):

$$WLL = MBS/SF.$$

The safety factor is determined by the operator according to the following criteria:

- 1- The level of danger for human life and for property
- 2- The reliability of the material and rigging equipment as well as their age and condition
- 3- The load condition; static, variable, impact loading (rope kickback)
- 4- The level of awareness of the load weight to be moved
- 5- The type of application

For example, lifting goods requires a higher safety factor than pulling non-rolling goods on the ground. Besides, lifting operations are often subject to standards, laws and regulations.

**It is therefore essential to refer to the local regulations applicable to your area.**

### **RECOMMENDED SAFETY FACTORS**



#### **EXAMPLES OF SAFETY FACTORS**

- Pulling: 2 – 3
- Lifting: 5 – 6
- Rope: 7 – 10
- If a life depends on it: 10



When pulling, the safety factor is relatively low (2-3 times) because the risk of serious accidents is a lot lower.

However, when lifting, higher safety factors are recommended; at least 5 for fixed equipment (e.g. pulleys and carabiners) and at least 7 for moving ropes which can be easily damaged. If the operation is life critical, the recommended safety factor is 10.



Portable Winch carabiners have different minimum breaking strengths. When the force exerted is multiplied through a block and tackle system, the carabiners located on each end are subject to significant forces. A sufficient safety factor must then be taken into account so that the equipment operates safely.

Refer to the table below to find out the safety factor obtained with each of the carabiners based on the load to move.

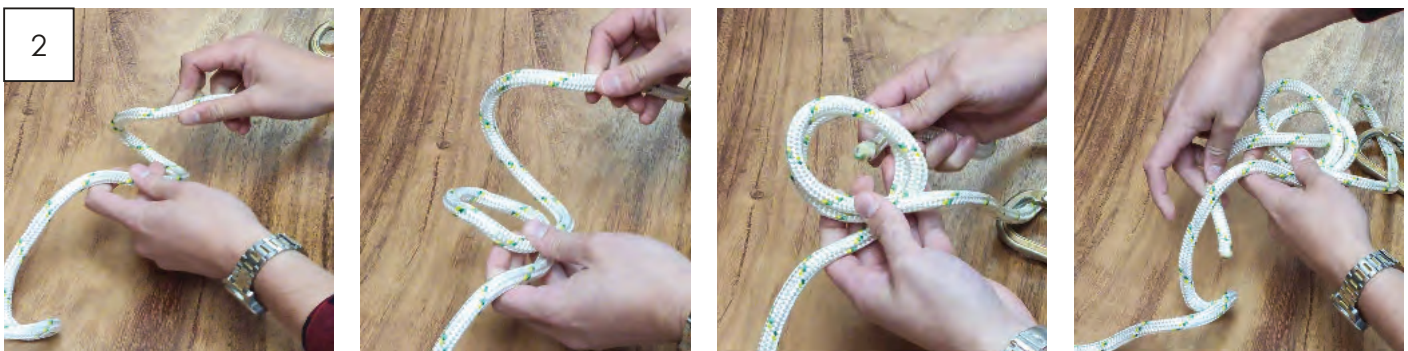
SAFETY FACTORS			
LOAD WEIGHT (KG)	PCA-1276 (25 KN)	PCA-1702 (50 KN)	PCA-1701 (70 KN)
250	10.2	20.4	28.6
500	5.1	10.2	14.3
750	3.4	6.8	9.5
1,000	2.6	5.1	7.1
2,000	1.3	2.6	5.3
3,000	N/A	1.7	2.4

**WHEN THE MINIMUM BREAKING STRENGTH OF A SINGLE CARABINER IS INSUFFICIENT TO ACHIEVE THE SAFETY FACTOR REQUIRED, TWO CARABINERS CAN BE USED WITH THEIR OPENINGS OPPOSITE AND INVERTED, AS ILLUSTRATED IN THE PICTURE BELOW. THIS WILL DOUBLE THE MINIMUM BREAKING STRENGTH.**



Even if a simple knot could occasionally be enough to attach a load to the end of the rope, Portable Winch recommends the use of the bowline knot (Fig. 1). This knot keeps about 70% of the rope's capacity while most knots reduce the rope's capacity by 50% or more. In addition, it can easily be undone after use even if a heavy load was pulled.

Better still, the double bowline knot (Fig. 2) will keep about 70% of your rope's capacity.















# ***WARRANTY***

---

Portable Winch Co. guarantees all its new products against manufacturing or material defects under normal operating conditions. Please see the full details of our warranty policy below.

The "original owner" is defined as the person or entity who purchased a product from an authorized retailer as evidenced by the original invoice. The warranty is transferable if the new buyer holds a copy of the original invoice.

This warranty does not apply to items sold "as is".

The warranty is transferable from one user to another, as long as the new owner has a copy of the original invoice.

## \* IMPORTANT \*

If you have a problem with your winch or accessory, contact the retailer where you purchased the product or Portable Winch Co. directly for instructions. By email: [info@portablewinch.com](mailto:info@portablewinch.com). By telephone, in Canada or the United States, call 1-888-388-7855. For other countries, dial +1 819-563-2193.

	PRODUCTS	COMMERCIAL USE	PRIVATE USE
PORTABLE WINCHES	PCW3000	1 year	5 years
	PCW3000-Li	1 year	5 years
	PCW5000	1 year	5 years
	PCW5000-HS	1 year	5 years
	PCH1000	1 year	2 years
	PCH2000	1 year	2 years
	PCT1800	1 year	2 years

ENGINES	HONDA	HONDA INTERNATIONAL WARRANTY
	BALDOR	ABB MOTORS AND MECHANICAL INC. INTERNATIONAL WARRANTY
	BATTERY POWERED	PORTABLE WINCH INTERNATIONAL WARRANTY

ACCESSORIES	ROPES	3 MONTHS
	PELICAN CASES	LIFETIME WARRANTY
	OTHER THAN ROPES AND PELICAN CASES	1 YEAR

## ! IMPORTANT

**Winch Warranty Registration - Get 1 Extra Year FOR FREE!**

**How? Simply visit [www.portablewinch.com](http://www.portablewinch.com) and register your winch online!**



This warranty covers the structural components and all the other components of the products from the date of product delivery to the end customer. Within this period, the customer must notify the dealer or approved distributor and make the product available for repair. The dealer/distributor will complete the warranty claim and send it to our warranty department within 30 days of the replacement or repair date of the product to receive a credit.

Any defective part must be retained for subsequent inspection. Failure to return these parts upon Portable Winch Co. request will automatically cancel the warranty claim. Any parts replaced or repaired will be guaranteed for the remaining warranty period of the product on which they were installed or repaired or according to the warranty period of these actual parts, where applicable. The product's warranty period cannot be extended due a non-use period caused by a repair, demonstration, inspection or lease return.

Portable Winch Co.'s sole obligation under this warranty is limited, at its discretion, to the repair or replacement without charge at Portable Winch Co.'s factory or distributor warehouse, all shipping costs paid by the user. Unless otherwise expressly stipulated in writing, this warranty does not constitute a warranty on performance or productivity.

Portable Winch Co. reserves the right to make changes or improvements to its products and this, without obligation towards its customers. In case of a modification or improvement, when a repair or replacement claim is made, Portable Winch Co. will not be required to make these modifications or improvements, but may do so at its discretion, at the customer's cost, on the product or parts already sold.

## Exclusions

This warranty, as a whole, does not cover maintenance and wear parts or consumable products for Portable Winch Co. models including, but not limited to, greases and lubricating oils, filters, parts suffering from friction when in contact with the rope or any other part showing evidence of negligence, overload, abuse, accident, maintenance, unsuitable storage or use or an unauthorized alteration. No warranty claim shall apply in the following cases:

- a) Product damaged during transit or storage;
- b) Shipping costs for the product or part sent for inspection and/or repair;
- c) Costs incurred for repairs performed at an overtime rate;
- d) Problem investigation and diagnosis;
- e) Costs for the use of an identical product when the original product is being repaired under warranty;
- f) Costs incurred by communication and transportation when the product is being repaired under warranty;
- g) Product on which the identification number or serial number is not visible.

All parts or components not manufactured by Portable Winch Co. are covered by their respective manufacturers and not by Portable Winch Co. However, Portable Winch Co. will process claims for these parts with the exception of *Honda* and *Baldor (ABB)* engines.

*Honda* engines, subject to commercial or domestic use or lease, are covered for a period that varies from one country to another. Warranty repair claims for these engines can be made to any *Honda* small engines service centre. The portable winch's serial number must be written on the customer's original invoice and will be used by the service centre for *Honda* small engines to determine the warranty's validity period.

*Baldor (ABB)* engines, subject to commercial or domestic use or lease, are covered for a period that varies from one country to another. Warranty repair claims for these engines can be made to any *Baldor* service centre (or *ABB* Motors and Mechanical). The portable winch's serial number must be written on the customer's original invoice and will be used by the *Baldor* service centre (or *ABB*) to determine the warranty's validity period.

For any questions or comments, contact Portable Winch Co.'s customer service: 1 888 388-7855 / +1 819 563-2193

This warranty will be cancelled if a repair or alteration is made to a Portable Winch Co. product by a person or company who has not received prior approval from Portable Winch Co. and which, in the opinion of Portable Winch Co, affected the product's performance and/or reliability in any way.

Any modification made to a Portable Winch Co. product without prior approval from Portable Winch Co. and/or repair carried out with parts not having been approved by Portable Winch Co. beforehand will automatically cancel this warranty. This warranty is not valid for any problem resulting from an unsuitable use or installation of parts or components or from a lack of normal and proper maintenance.

*THIS WARRANTY CONSTITUTES AND REPLACES ANY OTHER WARRANTY, WHETHER EXPRESSED OR IMPLICIT, WRITTEN OR ORAL, INCLUDING, BUT NOT LIMITED TO, ANY IMPLICIT WARRANTY OF MERCHANTABILITY OR SUITABILITY FOR A SPECIFIC USE.*

*THIS WARRANTY WILL BE APPLIED AND INTERPRETED IN ACCORDANCE WITH THE LAWS AND COMMERCIAL PRACTICES IN FORCE IN THE PROVINCE OF QUEBEC, CANADA.*

Portable Winch Co. cannot be held responsible for any damage, whether accidental or resulting from operator negligence, and it is understood that this warranty is the only right and remedy for the customer or the user.



**2020  
EDITION**

1170, Thomas-Tremblay  
Sherbrooke, Québec  
Canada, J1G 5G5

**[WWW.PORTABLEWINCH.COM](http://WWW.PORTABLEWINCH.COM)**

**PORTABLE WINCH CO.**

60-0342-R00  
Version EN - BLK  
©Copyright Portable Winch 2020  
Printed in Canada